

# PRODUCT DATA SHEET

## LIFTING ANCHOR MINI

### PRODUCT DESCRIPTION

The Lifting Anchor Mini is specifically designed for use with a ball supporting bolt. Smaller loads such as beams or struts can be easily transported with the lifting anchor. A collar on the top edge prevents slipping through in the drill hole. The fact that it is used with screws means the anchor can be used several times.

### ADVANTAGES

- The collar at the top of the Lifting Anchor Mini enables quick and easy assembly.
- Reusable
- Can be used in Glue-laminated timber beams and cross-laminated timber
- Low installation depth
- A minimum hole depth of just 47 mm

### MATERIAL

- S235JR

### CERTIFICATION



#### Attentio

This product is subject to important conditions! Please follow the operating instructions.



Lifting Anchor Mini



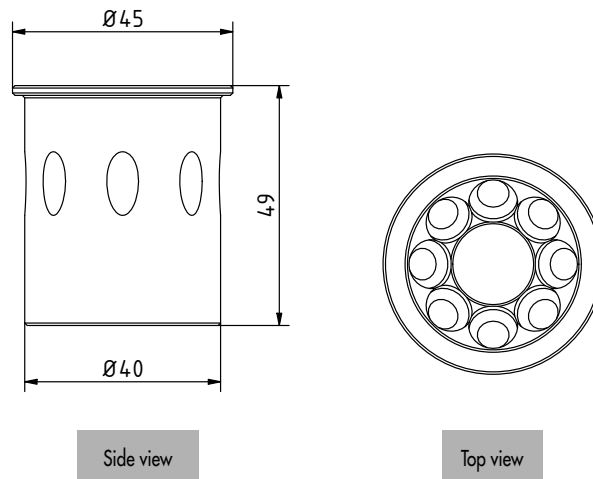
Ball supporting bolt

# PRODUCT DATA SHEET

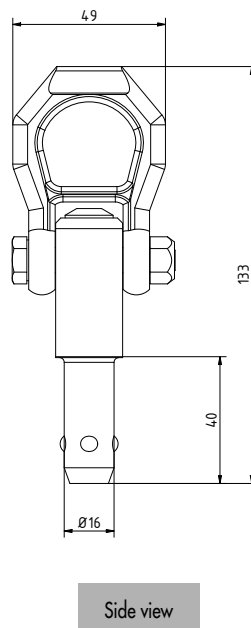
# LIFTING ANCHOR MINI

## TECHNICAL INFORMATION

Lifting Anchor Mini

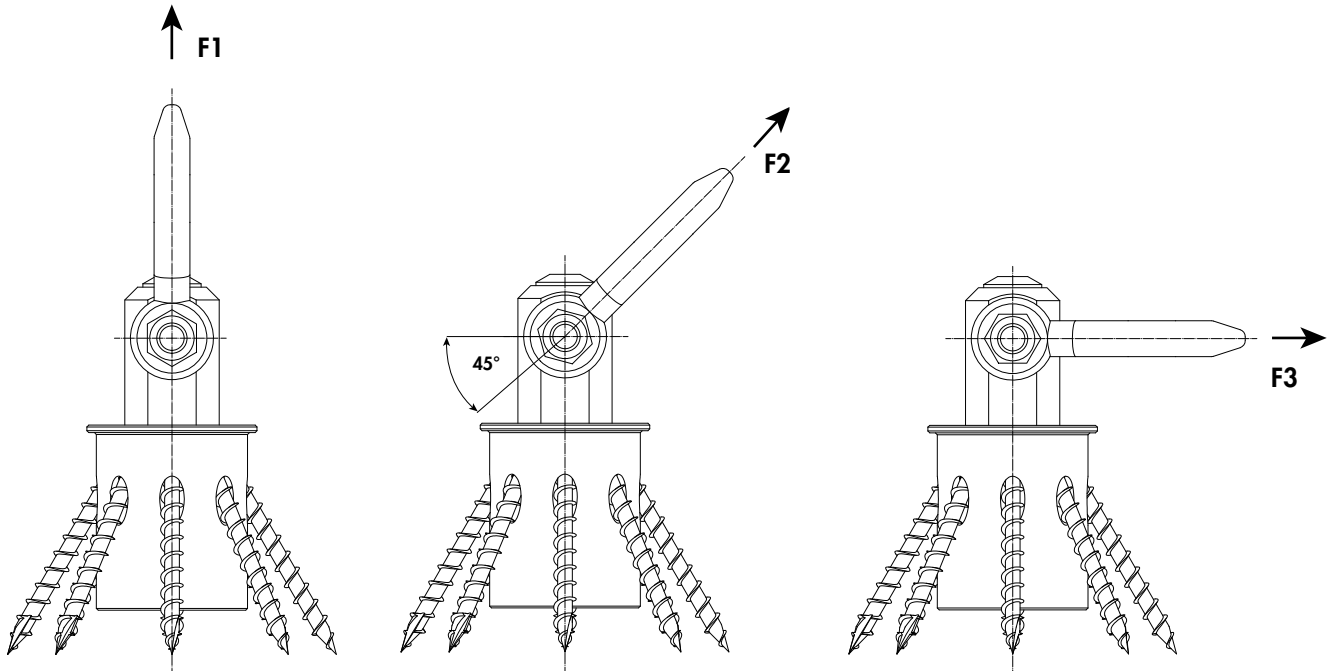


Ball supporting bolt



# PRODUCT DATA SHEET

# LIFTING ANCHOR MINI



$F_1$ kN*	$F_2$ kN*	$F_3$ kN*
4,8	4,5	4,1

\*with five-fold protection against breakage

## PRODUCT TABLE

Lifting Anchor Mini						
Art. no.	Designation	Dimensions [mm] <sup>a)</sup>	Number of screws <sup>b)</sup>		PU	
944901	Lifting Anchor Mini	49 x Ø 45	8		4	
Ball supporting bolt						
Art. no.	Designation	Dimensions [mm] <sup>a)</sup>	$F_1$ [kN]*	$F_2$ [kN]*	$F_3$ [kN]*	PU
944905	Ball supporting bolt	25 x Ø 16	4,8	4,5	4,1	1

<sup>a)</sup> Height x Diameter

<sup>b)</sup> Incl. 8 fully threaded screw TX25 6,0 x 60

\* Please refer to the drawing on the following page for a precise description of the individual forces  
Both items must be ordered separately from each other.

If you are not familiar with how this product is used, and particularly with the product's intended use, please contact our Application Technology department (technik@eurotec.team).