

PRODUCT DATA SHEET

POCKET TRAVERSE

PRODUCT DESCRIPTION

The Pocket Traverse is the definition of performance in a handy format. With its compact size, it is not only easy to transport but also extremely accessible. This innovative traverse revolutionises the way loads are lifted by connecting two load-handling equipment pieces to each other. This clever coupling doubles the load-bearing capacity, which is particularly advantageous for demanding applications.

The Pocket Traverse's special patent-pending geometry ensures that the load is evenly distributed between the individual fastening points, even for lifting angles between 0° and 45°. This unique feature allows for precise handling even when dealing with complex geometries.

The Pocket Traverse can also serve as a balancing rocker, so that all four chain legs can be evenly loaded during 4-leg lifting. With its impressive load capacity of 2,500 kg, the Pocket Traverse sets new standards. When using two devices, loads of up to 5,000 kg can be lifted easily. This traverse is characterised by its long service life, achieving an impressive 16,000 load cycles. Low maintenance and reliable – it offers safety thanks to its CE marking, which ensures that all relevant standards have been complied with.



ADVANTAGES / SPECIFICATIONS

- Easily transportable and therefore readily available
- Load capacity of 2,500 kg (when using 2 Pocket Traverses, it is possible to lift elements weighing up to 5,000 kg.)
- Can also be used as a balancing rocker
- Long service life: 16.000 load cycles

PRODUCT TABLE

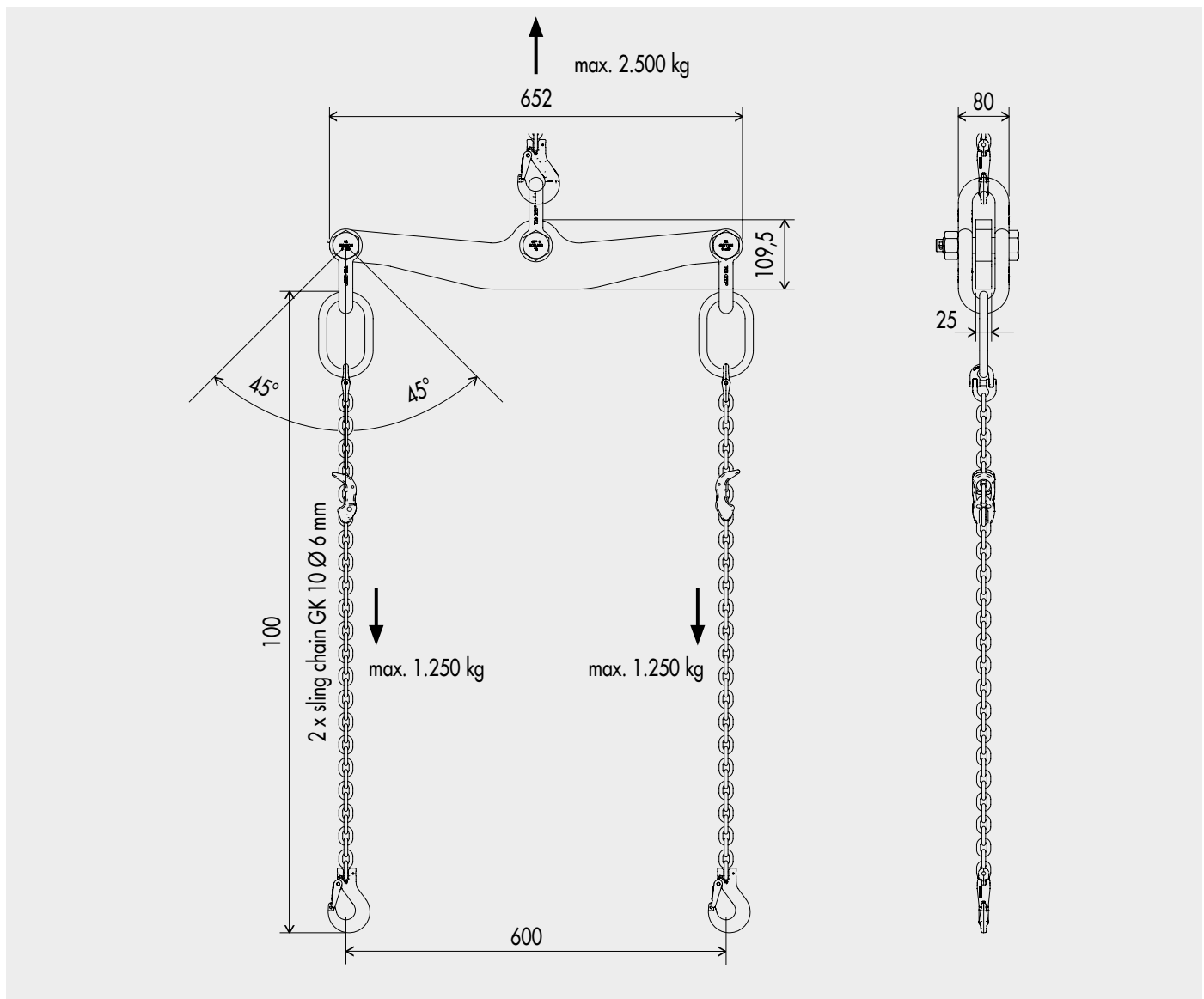
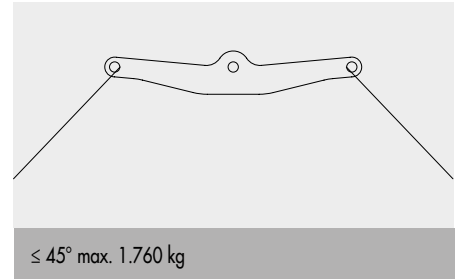
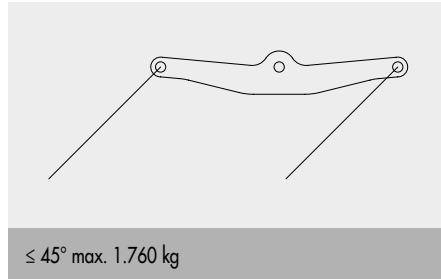
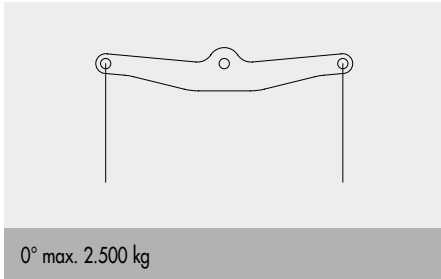
Pocket Traverse			
Art. no.	Dimension ^{a)} [mm]	Material	PU
110364	655 x 200	Q & T steel	1

a) Length x height

PRODUCT DATA SHEET

POCKET TRAVERSE

LOAD CASES



Application example with sling chains

If you are not familiar with how this product is used, and particularly with the product's intended use, please contact our Application Technology department (Technik@eurotec.team).