

PRODUCT DATA SHEET

ADAPTER RING

PRODUCT DESCRIPTION

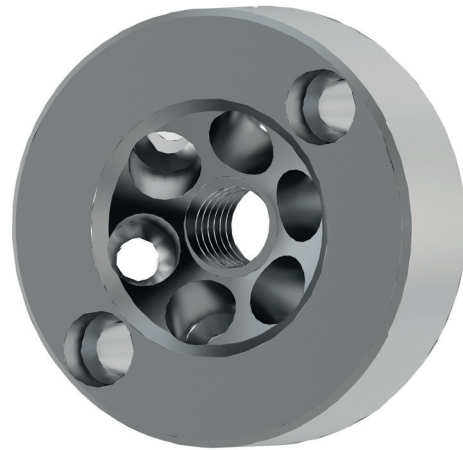
The adapter rings M12 & M16 were designed specifically for bearing high loads under tensile forces. They can be screwed into ceilings and bear high loads.

ADVANTAGES

- High load bearing under tensile force
- Universally applicable
- Little weakening of wood
- Quick and easy installation
- For single- or multi-row series connections
- System screws included in the scope of delivery

MATERIAL

- Galvanised steel



IMAGES OF APPLICATIONS



Adapter ring screwed into the ceiling for the suspension of pipes and cables.

PRODUCT DATA SHEET

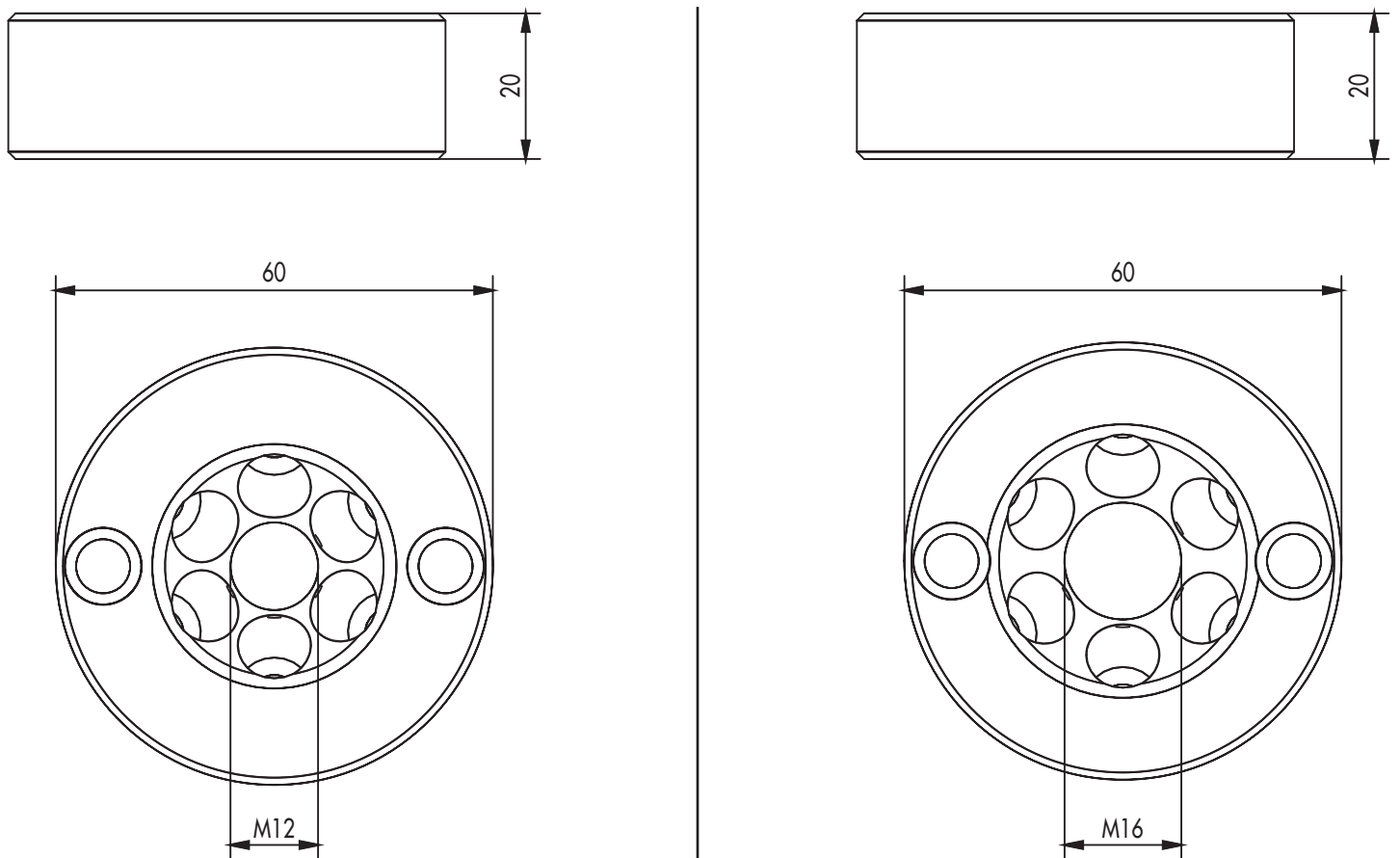
ADAPTER RING

PRODUCT TABLE

Art. no.	Dimensions ^{a)} [mm]	Material	PU
944913	60 x 20	S235 galvanised	1
944920	60 x 20	S235 galvanised	1

^{a)} Width x height

DRAWINGS



If you are not familiar with how to use this product, especially with its intended use, get in touch with our Application Engineering department (technik@eurotec.team).