

PRODUCT DATA SHEET

INSULATION DOWEL WITH HANGER BOLT A2

PRODUCT DESCRIPTION

The **Eurotec insulation dowel** combined with the **hanger bolt A2** form an ideal fastening option for example for down spouts without causing thermal bridges on the facade. The hanger bolt consists of **A2 stainless steel**, promising freedom from corrosion.

The insulation dowel itself consists of high quality nylon. The tip, which was specifically developed for this application, makes it possible to easily drill the dowel into the insulating material. This means no pre-drilling is necessary. The dowel can be mounted using a standard **SW 19** wrench. A **TX25** bit is required for the hanger bolt.

The **insulation dowel** is always offered as a set with the matching **hanger bolt A2**.



Insulation dowel with hanger bolt A2

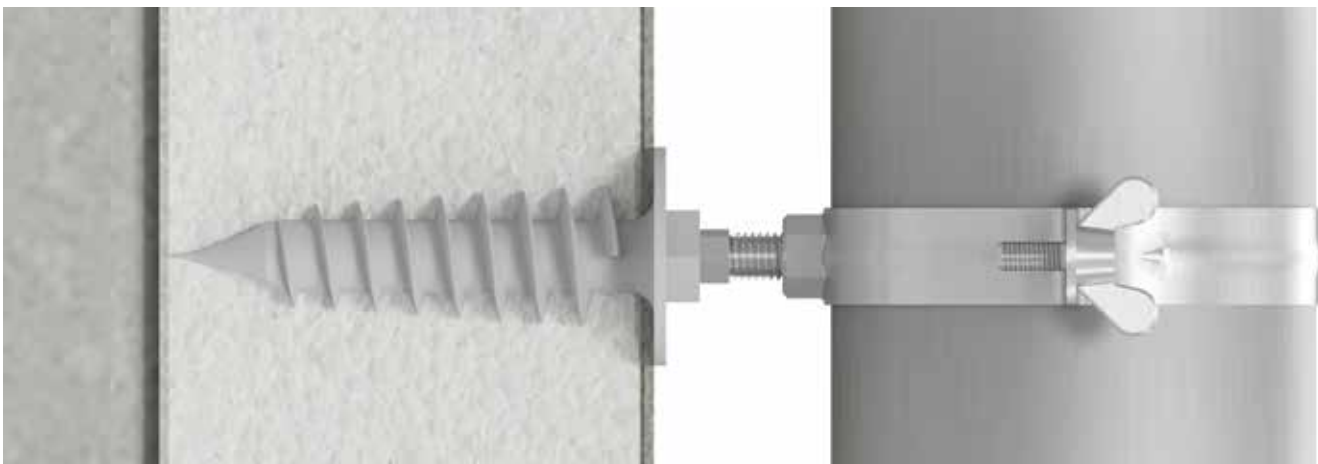
ADVANTAGES

- The insulation dowel prevents thermal bridges on the facade.
- High-quality A2 hanger bolt prevents corrosion
- No pre-drilling on the facade required

MATERIAL

- Insulation dowel: Nylon
- Hanger bolt: A2 stainless steel

APPLICATION IMAGE



Installation of the insulation dowel with a down spout

PRODUCT DATA SHEET

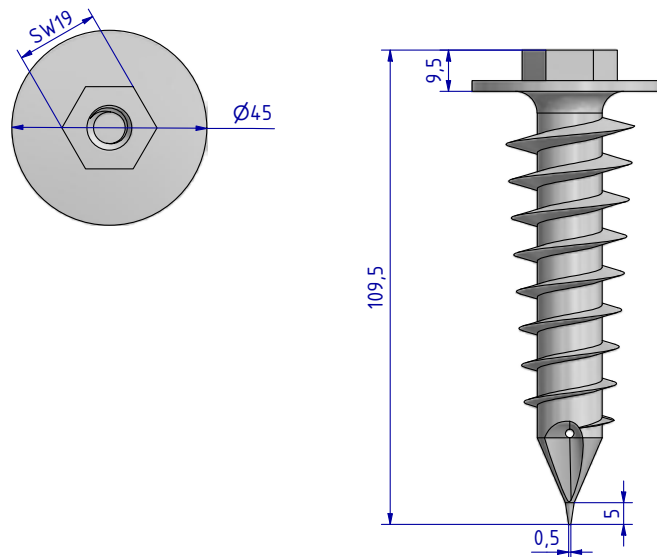
INSULATION DOWEL WITH HANGER BOLT A2

PRODUCT TABLE

Art.-No.	Product name	Dimensions [mm] ^{a)}	Material	Drive	PU
200037-SET	Insulation dowel	100 x 29,5 ^{b)}	Nylon	SW 19	40*
	Hanger bolt A2	M10 x 80	A2 stainless steel	TX25 •	40*

a) Diameter x length
 b) Widest thread diameter
 *4 sets of 10 plastic bags

TECHNICAL DRAWING



If you are not familiar with how this product is used, and particularly with the product's intended use, please contact our Application Technology department (technik@eurotec.team).