

# PRODUCT DATA SHEET

## FAÇADE CLIP

### PRODUCT DESCRIPTION

For hidden fastening of façade wood.

### ADVANTAGES

- For façade timbers with a profile height of 57 – 95 mm
- Hidden fastening
- Perfect constructive timber protection
- Ventilated façade system with spaced installation
- The façade timber's surface that is exposed to the weather remains undamaged.
- Efficient and easy installation

### AREA OF USE

- For mounting wooden façade profiles on a wooden substructure.



Façade clip



Mounting screw



Fixing screw

One fixing screw 4.5 x 29 mm and two mounting screws 4.2 x L (L depends on the thickness of the Rhombus profile) are included in the scope of delivery for each façade clip.

### APPLICATION IMAGE



Façade clip on wooden substructure with wooden façade profiles.

# PRODUCT DATA SHEET

# FAÇADE CLIP

## MATERIAL

- Black, electrogalvanised

## PRODUCT TABLE

| Art. no. | Designation | Height [mm] | Length [mm] | Width [mm] | PU* |
|----------|-------------|-------------|-------------|------------|-----|
| 946010   | F115 x 17   | 115         | 15          | 5,5        | 300 |
| 946012   | F115 x 22   | 115         | 15          | 5,5        | 300 |
| 946013   | F115 x 28   | 115         | 15          | 5,5        | 300 |
| 946014   | F130 x 17   | 130         | 15          | 5,5        | 300 |
| 946015   | F130 x 22   | 130         | 15          | 5,5        | 300 |
| 946016   | F130 x 28   | 130         | 15          | 5,5        | 300 |
| 946017   | F145 x 17   | 145         | 15          | 5,5        | 300 |
| 946018   | F145 x 22   | 145         | 15          | 5,5        | 300 |
| 946019   | F145 x 28   | 145         | 15          | 5,5        | 300 |

\*Screws are included in the scope of delivery

One fixing screw 4.5 x 29 mm and two mounting screws 4.2 x L (L depends on the thickness of the Rhombus profile) are included in the scope of delivery for each façade clip.

## TECHNICAL DATA

| Eurotec Façadeclip |           |                 |     | Dimensions façade profile |                  |               | Joint clearance between façade profiles |                        | Quantity required Façade clips per m <sup>2</sup> Example |                     |                     |
|--------------------|-----------|-----------------|-----|---------------------------|------------------|---------------|---|------------------------|---|---------------------|---------------------|
|                    |           | Dimensions [mm] |     |                           | min.-max. height | min. strength | Assembly screw Length (L)               | Fixing screw in hole A | Fixing screw in hole B                                    | min. profile height | max. profile height |
| Art. no.           | Type      | H               | L   | B                         | [mm]             | [mm]          | [mm]                                    | [mm]                   | [mm]  | Piece               | Piece               |
| 946010             | F115 x 17 | 5,5             | 115 | 15                        | 57 - 68          | 19            | 17                                      | 10                     | variable  | 28                  | 24                  |
| 946012             | F115 x 22 | 5,5             | 115 | 15                        | 57 - 68          | 24            | 22                                      | 10                     | variable  | 28                  | 24                  |
| 946013             | F115 x 28 | 5,5             | 115 | 15                        | 57 - 68          | 30            | 28                                      | 10                     | variable  | 28                  | 24                  |
| 946014             | F130 x 17 | 5,5             | 130 | 15                        | 68 - 80          | 19            | 17                                      | 10                     | variable  | 24                  | 20                  |
| 946015             | F130 x 22 | 5,5             | 130 | 15                        | 68 - 80          | 24            | 22                                      | 10                     | variable  | 24                  | 20                  |
| 946016             | F130 x 28 | 5,5             | 130 | 15                        | 68 - 80          | 30            | 28                                      | 10                     | variable  | 24                  | 20                  |
| 946017             | F145 x 17 | 5,5             | 145 | 15                        | 80 - 95          | 19            | 17                                      | 10                     | variable  | 20                  | 18                  |
| 946018             | F145 x 22 | 5,5             | 145 | 15                        | 80 - 95          | 24            | 22                                      | 10                     | variable  | 20                  | 18                  |
| 946019             | F145 x 28 | 5,5             | 145 | 15                        | 80 - 95          | 30            | 28                                      | 10                     | variable  | 20                  | 18                  |

Fastened to substructure  
with 4,5 x 29 mm fixing screw with drill point

Formula for determining quantity  
(1000 mm/substructure distance) x (1000 mm/bottom edge clearance) = pieces/m<sup>2</sup>

600 mm substructure clearance  
10 mm joint clearance

Please note: Before any work is carried out, all calculations must be checked and released by the responsible planner! For more information on this visit our homepage: [www.eurotec.team/en](http://www.eurotec.team/en)

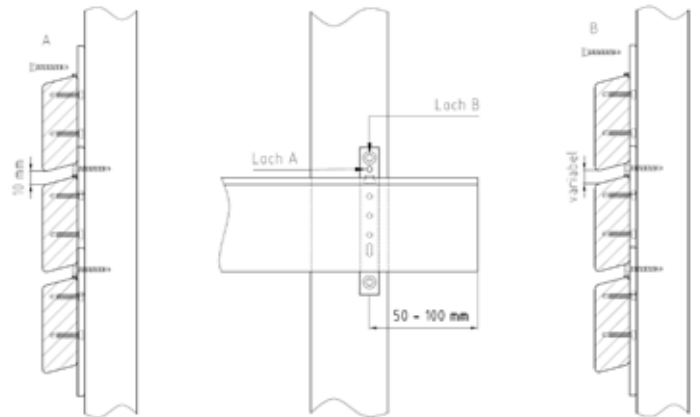
# PRODUCT DATA SHEET

## FAÇADE CLIP

### VERSIONS



The façade clip in combination with two mounting screws and the fixing screw.

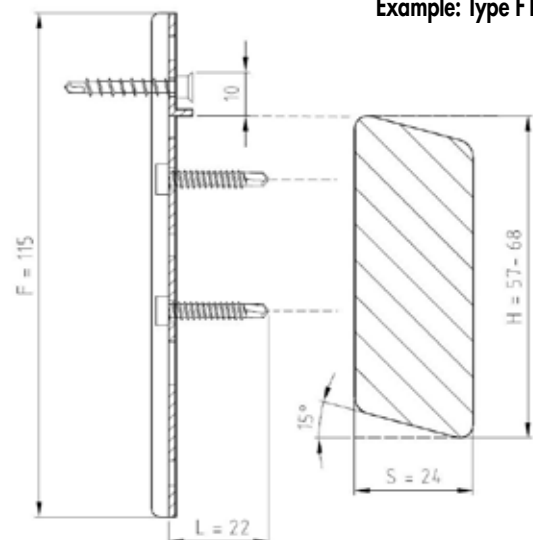


The façade clip and its possible screw connections as well as the necessary cross-sections of the façade timbers.



From left to right: The façade clip F145, F130 and F115.

Example: Type F115 x 22



Installation instructions and two possible screw connection types for different gap sizes in the façade.

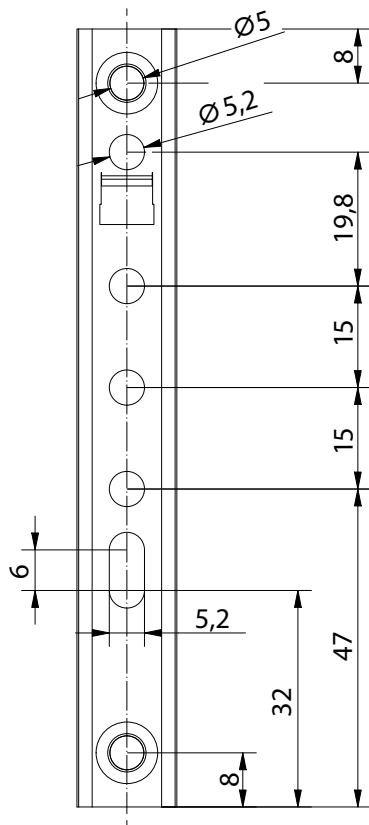
For a detailed explanation, please refer to our installation instructions.

# PRODUCT DATA SHEET

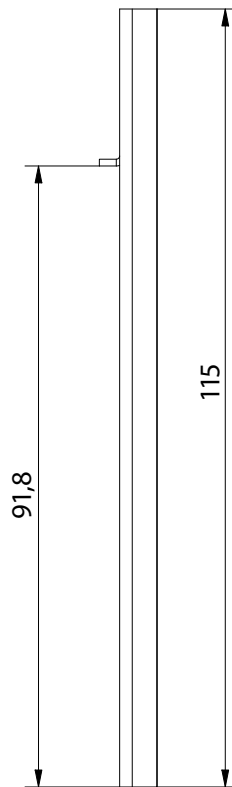
# FAÇADE CLIP

## DRAWINGS

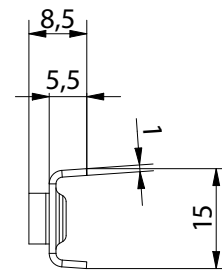
- Façade clip with a height of 115 mm



Front view



Side view



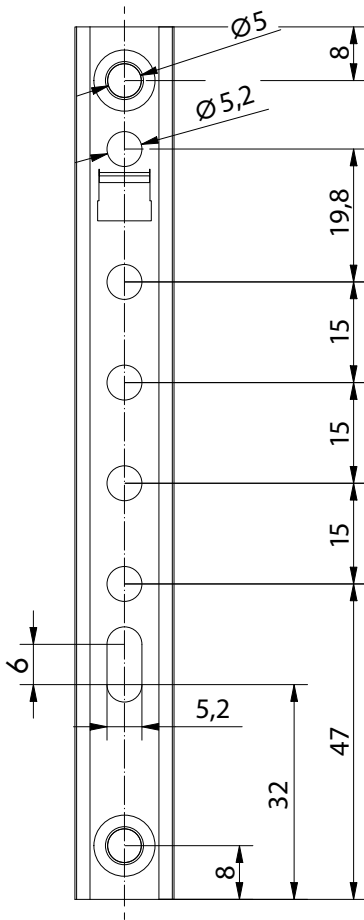
Top view

# PRODUCT DATA SHEET

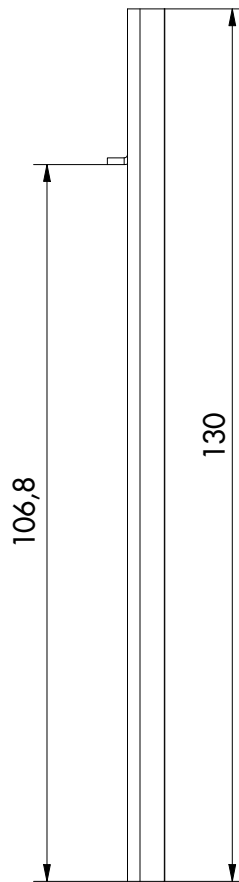
# FAÇADE CLIP

## DRAWINGS

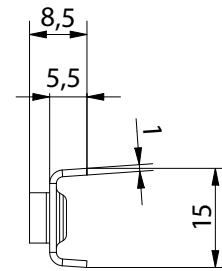
- Façade clip with a height of 130 mm



Front view



Side view



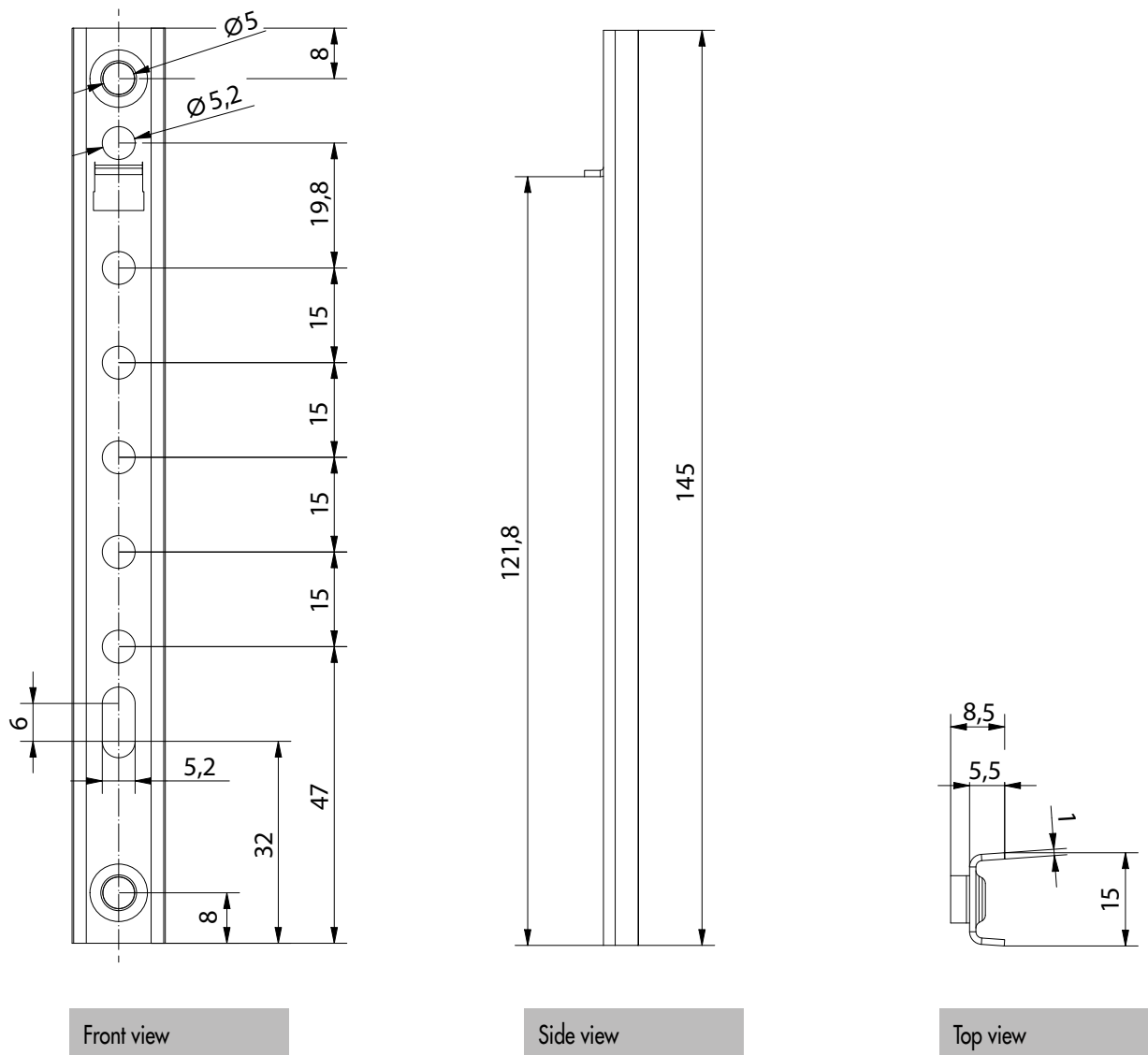
Top view

# PRODUCT DATA SHEET

# FAÇADE CLIP

## DRAWINGS

- Façade clip with a height of 145 mm



If you are not familiar with how this product is used, and particularly with the product's intended use, please contact our Application Technology department (technik@eurotec.team).