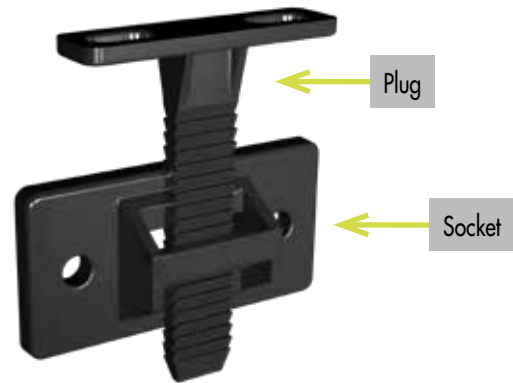


PRODUCT DATA SHEET

SNAP-IN FASTENER

PRODUCT DESCRIPTION

The Eurotec snap-in fastener is **used for the installation of start or end floorboards** on a terrace with concealed screw connections. **The fastener consists of two parts: the plug and the socket.** The socket can be attached to the side of the substructure using the screws supplied. **The plug is fixed underneath the floorboard** and can then be snapped into the socket. The product enables **quick and unproblematic installation of start or end floorboards** on the terrace. The snap-in function of the fastener covers a wide range of substructure assembly heights. **All concealed Eurotec fastening solutions can be used to install the remaining floorboards.**



ADVANTAGES

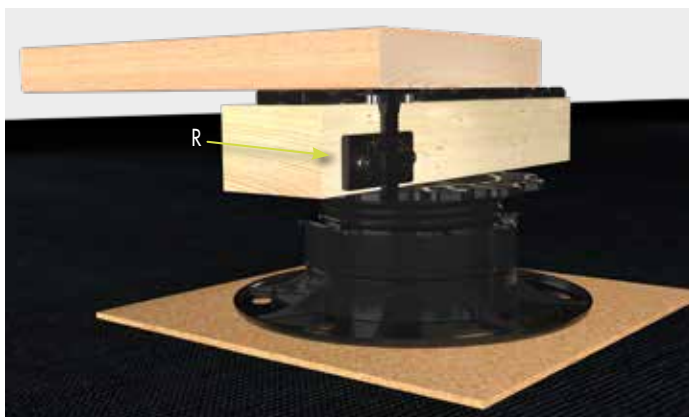
- Quick and easy installation of the start and end floorboards
- Adjustment range from 19.5 – 45.5 mm*
- Can be used in combination with both a wooden and an aluminium substructure
- Both laterally grooved and non-grooved floorboards can be fastened without any problems

*The adjustment range is calculated from the distance between the upper web of the plug and the attachment point of the clip to the substructure.

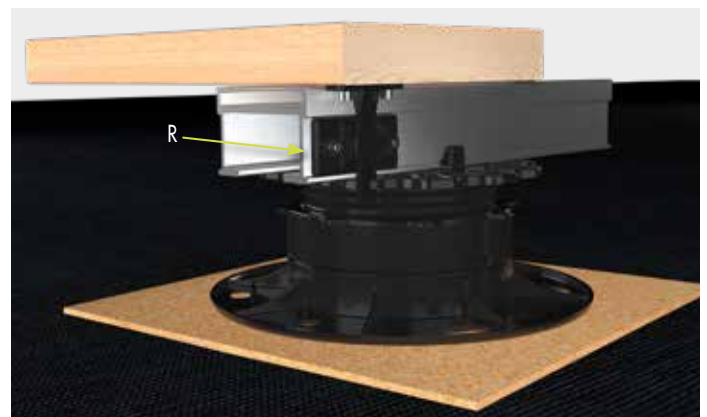
MATERIAL

- PP-C (polypropylene copolymer)

IMAGES OF APPLICATIONS



Fastening a wooden floorboard to a wooden substructure using the snap-in fastener (R).



Fastening a wooden floorboard to the EVO aluminium system profile using the snap-in fastener (R).

PRODUCT DATA SHEET

SNAP-IN FASTENER



The plug is fixed underneath the floorboard and can then be snapped into the socket.

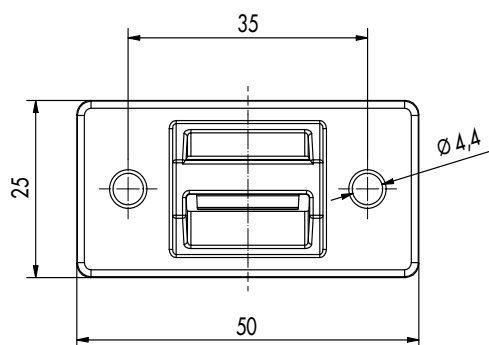
PRODUCT TABLE

Art.-No.	Product description	Plug dimensions ^{a)} [mm]	Socket dimensions ^{a)} [mm]	Overall dimensions ^{a)} [mm]	PU*
975612	Snap-in fastener	40 x 52,5 x 10,4	50 x 25 x 13	50 x 57,8 x 13	100

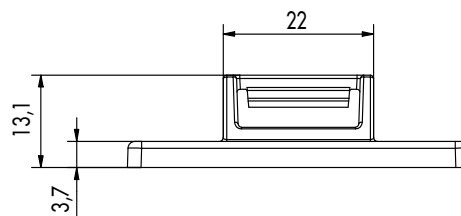
^{a)}Length x width x height

*4 pc. Thermofix screws 4.2 x 17 mm are included in the scope of delivery

SOCKET ILLUSTRATIONS



Front view

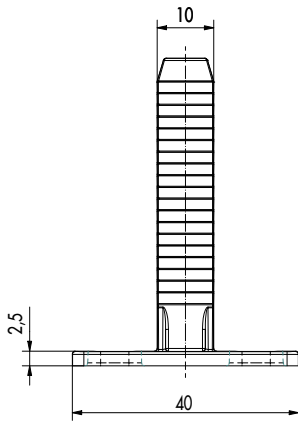


Top view

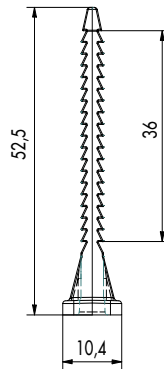
PRODUCT DATA SHEET

SNAP-IN FASTENER

PLUG ILLUSTRATIONS

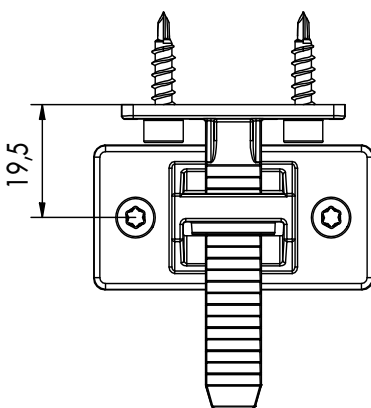


Front view

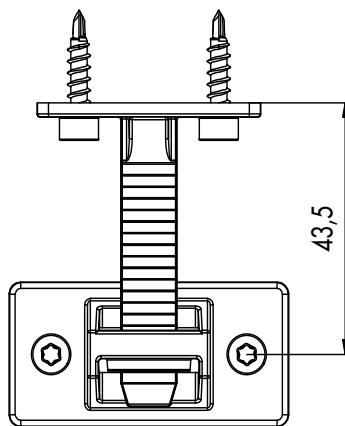


Top view

ILLUSTRATIONS OF SNAP-IN FASTENERS TOGETHER WITH SPACING



Minimum spacing



Maximum spacing

If you are not familiar with how this product is used, and particularly with the product's intended use, please contact our Application Technology department (technik@eurotec.team).