

Product data sheet – Drill-Stop

Product description

The Drill-Stop countersinking for deck screws. Pilot drilling is strongly recommended for fastening tropical woods/hardwoods. This is advisable even with the relatively easily splittable Douglas fir, and when screwing close to wood cut against the grain.



Material

- Hard plastic/steel

Advantages

- Boring and countersinking in a single pass
- Screwing torque for inserting Terrasotec and Hapatec screws is greatly reduced, no more shearing of the screws, above all with the combination hardwood/stainless steel A2 or A4
- Reduces the tearing of the wood longitudinally to the fiber in the head area
- Perfect seat of the screw head with countersunk and cylindrical stepped heads

No splintering, no shearing!

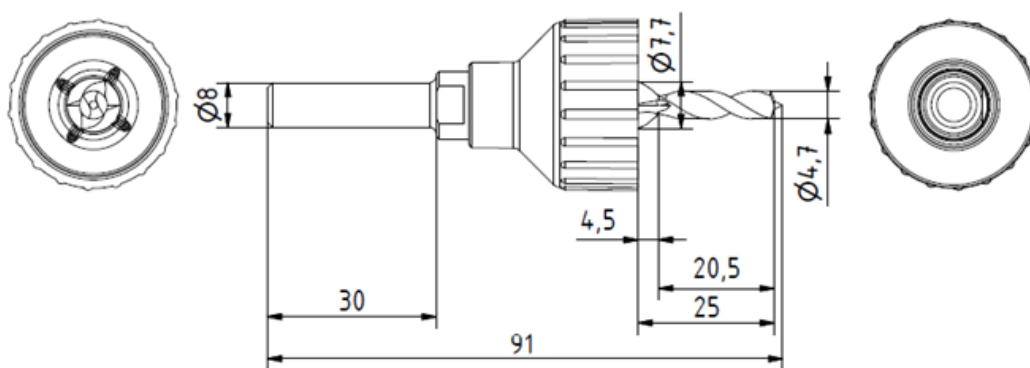
Pilot drilling with the Drill-Stop and the specially developed head geometry of Terrasotec screws prevents splintering to the greatest extent.

Article Table

| Art.-No. | Designation | Dimensions |
|----------|-------------|--------------|
| 945986 | Drill-Stop | Ø4,7 x 25 mm |

Product data sheet – Drill-Stop

Drawing



Application images



If you are not familiar with the application of the product at hand, especially with the handling according to given regulations, it is essential to get in contact with our technical application support department (Technik@eurotec.team).