

## Product data sheet – Wall support

## Product description

Thanks to their high load-bearing capacity, the Eurotec **wall supports** can support walls until they are fully assembled without any problems and therefore take the place of many helping hands. A locking pin system enables especially quick and easy adjustment of the wall support's height. Subsequent fine adjustment is also possible using threaded rods.

## Advantages

- Suitable for universal use
- Easy to handle
- Quick to assemble
- Almost no force needed from the user
- Very secure and sturdy
- Saves time



## Product table

| Art. no. | Dimensions<br>L [mm] | Material    | Incline<br>[°] | Compressive<br>strength*<br>Nc,Rd [kN] | Tensile capacity*<br>Nt,Rd [kN] | PU |
|----------|----------------------|-------------|----------------|--|---------------------------------|----|
| 803572   | 1600-3000            | Stahl 235JR | Max. 45        | 3,0                                    | 2,0                             | 1  |

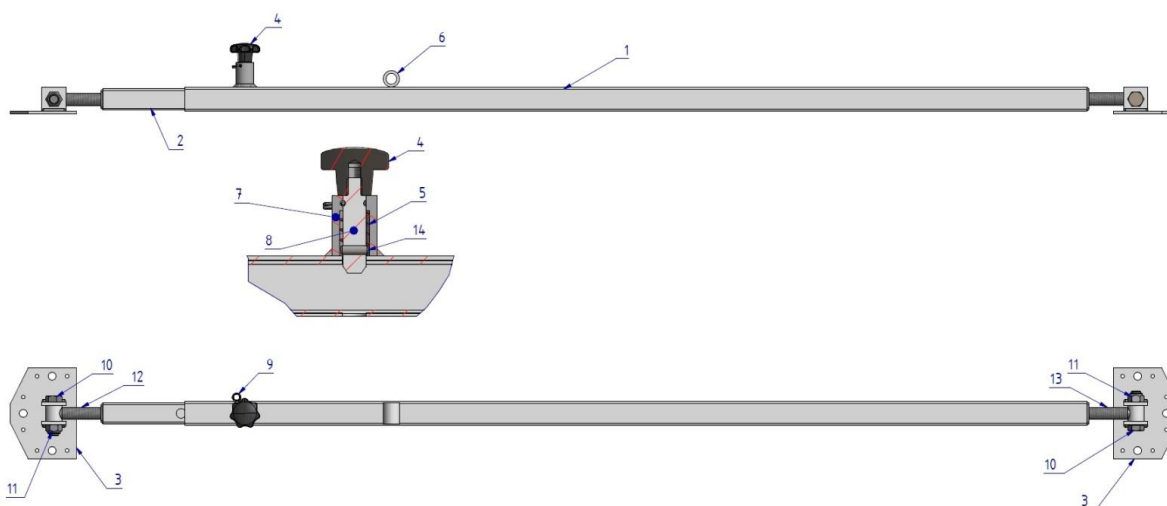
\*The stated values are planning aids. Projects must only be calculated by authorised persons. Please contact an approved structural engineer for free verification of stability.



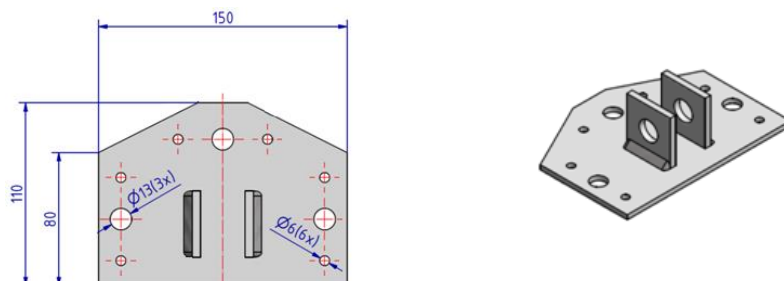
Product data sheet – Wall support

Drawings

| Pos. | Designation   | Quantity |
|------|---|----------|
| 1    | Outer pipe  | 1        |
| 2    | Inner pipe  | 1        |
| 3    | Base plate  | 2        |
| 4    | DIN 6336 K 50 (M10) star knob (optional) DIN 6335 K 50 (M10) cross handle | 1        |
| 5    | EN 10270-1 DH compression spring – 1.4 x 17.50 x 35.2                     | 1        |
| 6    | Lever holder  | 1        |
| 7    | Bolt receiver   | 1        |
| 8    | Bolts   | 1        |
| 9    | Spring cotter pin – DIN 11024 Ø3 – galvanised                             | 1        |
| 10   | Hexagonal screw – ISO 4017 – M16 x 55 – 8.8 – galvanised                  | 2        |
| 11   | Self-locking hex nut – EN ISO 7040 – M16 – 5 – galvanised                 | 2        |
| 12   | Fine adjustment bolt with left-hand thread                                | 1        |
| 13   | Fine adjustment bolt with right-hand thread                               | 1        |
| 14   | Clamping pin, slotted, DIN EN ISO 13337 – 5 x 18                          | 1        |



Details for base plate



If you are not familiar with how this product is used, and particularly with the product's intended use, please contact our Application Technology department.