

Product Data sheet - Silent EPDM decoupling profile

Product description

The **Silent EPDM decoupling profile** is used for sound insulation and material separation in timber and solid timber construction. The decoupling strip serves as a sound-insulating profile strip between timber parts and ensures physical and mechanical separation of adjoining components. As a result, it prevents the transfer of vibration from footfall/structure-borne sound.



Material

- Extruded EPDM, black
- Density: approx. 1.23 g/cm³
- Operating temperature: -30°C – +100°C
- Permanently elastic and dimensionally stable



Advantages

- Versatile applications
- Can be individually cut to size (supplied as a roll)
- Ageing-resistant
- UV-stable
- Ozone-resistant

Application information

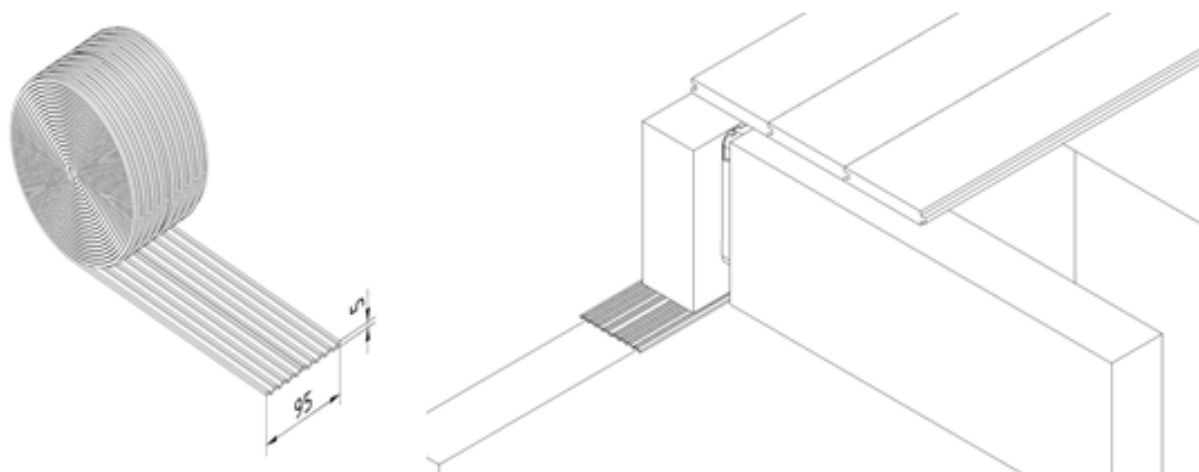
Cut the Silent EPDM decoupling profile to the desired length and place it in the chosen position, then fasten it in place at intervals of approx. 40–60 cm, for example using the Eurotec hammer tacker.

Product Data sheet - Silent EPDM decoupling profile

Article Table

Silent EPDM decoupling profile						
Art. no.	Thickness [mm]	Width [mm]	Length [m]	Color	Material	PU [piece]
945382	5	95	20	black	EPDM	1

Drawing



Material properties			
Property	Measurement method	Unit	Value
Hardness	DIN ISO 7619-1	Shore A	48
Density	DIN 53479	g/cm ³	1,23
Tear strength	DIN 53504	MPa	8,5
Elongation at break	DIN 53504	%	510
Compression set	DIN ISO 815-1	%	≤40
Temperature resistance		°C	-30/ 100°C

Product Data sheet - Silent EPDM decoupling profile

Application images

