

**Centre Scientifique et
Technique du Bâtiment**

84 avenue Jean Jaurès
CHAMPS-SUR-MARNE
F-77447 Marne-la-Vallée Cedex 2

Tél. : (33) 01 64 68 82 82

Fax : (33) 01 60 05 70 37

**European Technical
Assessment**

**ETA-18/0533
of 02/07/2018**

English translation prepared by CSTB - Original version in French language

General Part

Nom commercial
Trade name

EuroTec expansion anchor A4

Famille de produit
Product family

**Cheville métallique à expansion par vissage à couple contrôlé,
de fixation dans le béton fissuré et non fissuré
diamètres M8, M10 et M12
*Torque-controlled expansion anchor for use in cracked and
uncracked concrete: sizes M8, M10 and M12***

Titulaire
Manufacturer

EuroTec GmbH
Unter dem Hofe 5
D-58099 HAGEN
Germany

Usine de fabrication e
Manufacturing plants

HSW15

Cette évaluation contient:
This assessment contains

15 pages incluant 12 annexes qui font partie intégrante de
cette évaluation
*15 pages including 12 annexes which form an integral part of
this assessment*

Base de l'ETE
Basis of ETA

EAD 330232-00-0601, "Ancrages mécaniques dans le béton"
EAD 330232-00-0601, "Mechanical fasteners for use in concrete"

Cette évaluation remplace:
This Assessment replaces:

Specific Part

1 Technical description of the product

The EuroTec expansion anchor A4 is an anchor made of stainless steel which is placed into a drilled hole and anchored by torque-controlled expansion.

The anchor is placed into a drilled hole and anchored by torque-controlled expansion.

The illustration and the description of the product are given in Annexes A.

2 Specification of the intended use

The performances given in Section 3 are only valid if the anchor is used in compliance with the specifications and conditions given in Annexes B.

The provisions made in this European technical assessment are based on an assumed working life of the anchor of 50 years. The indications given on the working life cannot be interpreted as a guarantee given by the producer, but are to be regarded only as a means for choosing the right products in relation to the expected economically reasonable working life of the works.

3 Performance of the product

3.1 Mechanical resistance and stability (BWR 1)

Essential characteristic	Performance
Characteristic tension resistance acc. ETAG001, Annex C	See Annex C 1
Characteristic shear resistance acc. ETAG001, Annex C	See Annex C 2
Characteristic tension resistance acc. CEN/TS 1992-4	See Annex C 5
Characteristic shear resistance acc. CEN/TS 1992-4	See Annex C 6
Displacements	See Annex C 9

3.2 Safety in case of fire (BWR 2)

Essential characteristic	Performance
Reaction to fire	Anchorage satisfy requirements for Class A1
Characteristic tension resistance under fire acc. ETAG001, Annex C	See Annex C 3
Characteristic shear resistance under fire acc. ETAG001, Annex C	See Annex C 4
Characteristic tension resistance under fire acc. CEN/TS 1992-4	See Annex C 7
Characteristic shear resistance under fire acc. CEN/TS 1992-4	See Annex C 8

3.3 Hygiene, health and the environment (BWR 3)

Regarding dangerous substances contained in this European technical approval, there may be requirements applicable to the products falling within its scope (e.g. transposed European legislation and national laws, regulations and administrative provisions). In order to meet the provisions of the Construction Products Directive, these requirements need also to be complied with, when and where they apply.

3.4 Safety in use (BWR 4)

For Basic requirement Safety in use the same criteria are valid as for Basic Requirement Mechanical resistance and stability.

3.5 Protection against noise (BWR 5)

Not relevant.

3.6 Energy economy and heat retention (BWR 6)

Not relevant.

3.7 Sustainable use of natural resources (BWR 7)

For the sustainable use of natural resources no performance was determined for this product.

3.8 General aspects relating to fitness for use

Durability and Serviceability are only ensured if the specifications of intended use according to Annex B1 are kept.

4 Assessment and verification of constancy of performance (AVCP)

According to the Decision 96/582/EC of the European Commission¹, as amended, the system of assessment and verification of constancy of performance (see Annex V to Regulation (EU) No 305/2011) given in the following table apply.

Product	Intended use	Level or class	System
Metal anchors for use in concrete	For fixing and/or supporting to concrete, structural elements (which contributes to the stability of the works) or heavy units	—	1

5 Technical details necessary for the implementation of the AVCP system

Technical details necessary for the implementation of the Assessment and verification of constancy of performance (AVCP) system are laid down in the control plan deposited at Centre Scientifique et Technique du Bâtiment.

The manufacturer shall, on the basis of a contract, involve a notified body approved in the field of anchors for issuing the certificate of conformity CE based on the control plan.

The original French version is signed by

Charles Baloche
Technical Director

¹ Official Journal of the European Communities L 254 of 08.10.1996

A4 stainless steel anchor:



Marking on the bolt:

A4 followed by MX-L where
 MX = thread diameter
 L = total length

Different parts of the anchor:

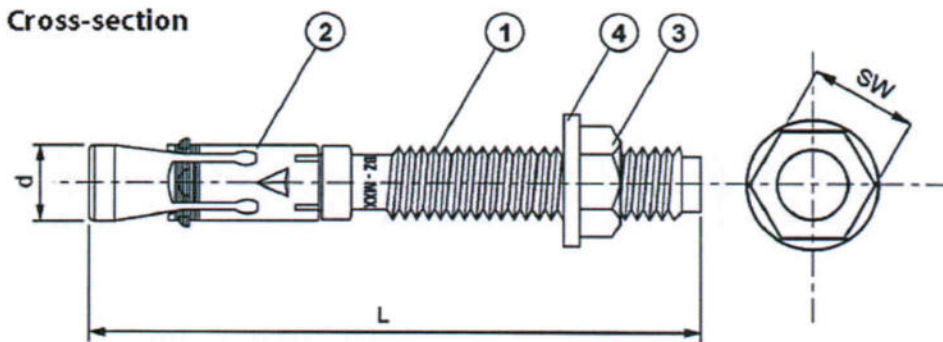


Table 1: Materials

Part	Designation	Material	Protection
1	Bolt	Stainless steel A4 SS316 ¹⁾	-
2	Expansion clip	Stainless steel A4 SS316 ¹⁾	Coated
3	Washer	ISO 3506-1 Stainless steel SS316 ¹⁾ DIN 125, DIN 9021, or EN ISO 7089	-
4	Hexagonal nut	ISO 3506-2 Stainless steel SS316 (A4-70) DIN 934 or DIN EN ISO 4032 SS316 (A4-70) acc. To ISO 3506	-

1) Material: 1.4401;1.4404;1.4571;1.4362;1.4578

EuroTec expansion anchor A4	Annex A1
Product description Materials	

Specifications of intended use

Anchorage subject to:

- Static, quasi-static and fire.

Base materials:

- Cracked concrete and non-cracked concrete
- Reinforced or unreinforced normal weight concrete of strength classes C20/25 at least to C50/60 at most according to EN 206.

Use conditions (Environmental conditions):

- The anchor may be used in concrete subject to dry internal conditions and also in concrete subject to external atmospheric exposure (including industrial and marine environment), or exposure in permanently damp internal conditions, if no particular aggressive conditions exist. Such particular aggressive conditions are e.g. permanent, alternating immersion in seawater or the splash zone of seawater, chloride atmosphere of indoor swimming pools or atmosphere with extreme chemical pollution (e.g. in desulphurization plants or road tunnels where de-icing materials are used).

Design:

- The anchorages are designed in accordance with the EN 1992-4 "Design of fastenings for use in concrete" or with ETAG001 Annex C "Design Method for Anchorages" under the responsibility of an engineer experienced in anchorages and concrete work.
- For application with resistance under fire exposure the anchorages are designed in accordance with method given in TR020 "Evaluation of Anchorage in Concrete concerning Resistance to Fire".
- Verifiable calculation notes and drawings are prepared taking account of the loads to be anchored. The position of the anchor is indicated on the design drawings.

Installation:

- Anchor installation carried out by appropriately qualified personnel and under the supervision of the person responsible for technical matters of the site.
- Use of the anchor only as supplied by the manufacturer without exchanging the components of an anchor.
- Anchor installation in accordance with the manufacturer's specifications and drawings and using the appropriate tools.
- Effective anchorage depth, edge distances and spacing not less than the specified values without minus tolerances.
- Hole drilling by hammer drill with conventional bit or hollow drill bit.
- Cleaning of the hole of drilling dust.
- Application of specified torque moment using a calibrated torque wrench.
- In case of aborted hole, drilling of new hole at a minimum distance of twice the depth of the aborted hole, or smaller distance provided the aborted drill hole is filled with high strength mortar and no shear or oblique tension loads in the direction of aborted hole

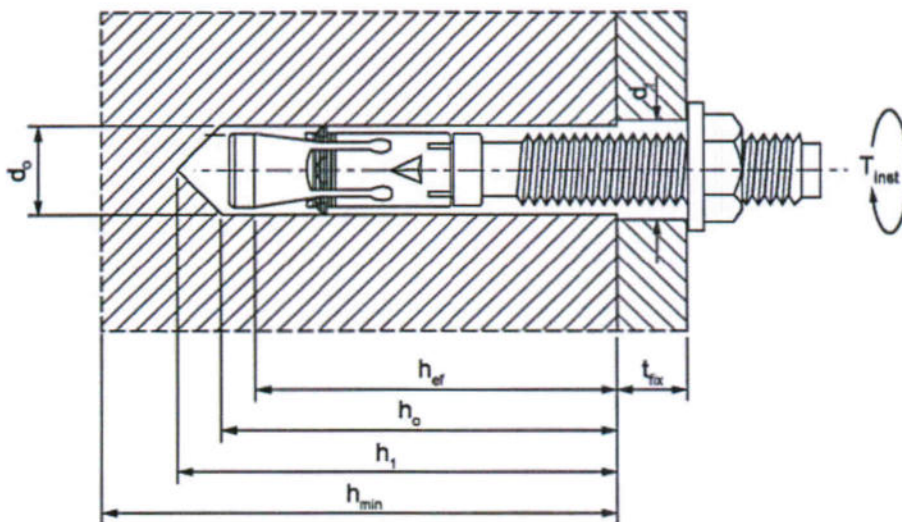
EuroTec expansion anchor A4

Intended Use
Specifications

Annex B1

				M8	M10	M12
Length of the anchor	Min.	L	[mm]	75	90	110
	Max.		[mm]	160	180	180
Fixture thickness	Min.	t_{fix}	[mm]	1	1	1
	Max.		[mm]	90	90	80
Length expansion sleeve		l_{clip}	[mm]	13.5	18.0	21.5
Width torque wrench		SW	[mm]	13	17	19

				M8	M10	M12
Drill hole diameter	d_0	[mm]		$\leq 8,45$	$\leq 10,45$	$\leq 12,50$
Drill hole depth	h_1	[mm]		60	75	85
Embedment depth	h_{ef}	[mm]		45	60	70
Installation torque	T_{inst}	[Nm]		20	45	60
Diameter through hole fixture	d_f	[mm]		9	12	14
Min. member thickness	h_{min}	[mm]		100	120	140
Minimum edge distance	c_{min}	[mm]		70	80	90
Minimum spacing	s_{min}	[mm]		70	80	90



EuroTec expansion anchor A4

Intended Use
 Installation parameters

Annex B2

Table 4: Characteristic values for tension loads in case of static and quasi static loading for design design method A acc. ETAG001, Annex C

			M8	M10	M12	
Steel failure						
Char. resistance	$N_{Rk,s}$	[kN]	19,1	30,9	49,6	
Partial safety factor	$\gamma_{Ms}^{1)}$	[-]	1,5			
Pullout failure $N_{Rk,p} = \Psi_c \times N_{Rk,p}^0$						
Char. resistance in concrete C20/25	cracked	$N_{Rk,p}^0$	[kN]	2,0	6,0	12,0
	non-cracked	$N_{Rk,p}^0$	[kN]	6,0	12,0	16,0
Partial safety factor for cracked or non-cracked concrete	$\gamma_2 = \gamma_{inst}$	[-]	1,2			
Increasing factor for N_{Rk}	concrete C30/37	Ψ_c	[-]	1,06		
	concrete C40/50		[-]	1,11		
	concrete C50/60		[-]	1,14		
Concrete cone failure and splitting failure						
Effective embedment depth	h_{ef}	[mm]	45	60	70	
Partial safety factor for cracked or non-cracked concrete	$\gamma_2 = \gamma_{inst}$	[-]	1,2			
Increasing factor for N_{Rk}	concrete C30/37	Ψ_c	[-]	1,06		
	concrete C40/50		[-]	1,11		
	concrete C50/60		[-]	1,14		
Char. spacing	concrete cone failure	$s_{cr,N}$	[mm]	135	180	210
	splitting failure	$s_{cr,sp}$	[mm]	200	290	420
Char. edge distance	concrete cone failure	$c_{cr,N}$	[mm]	67,5	90	105
	splitting failure	$c_{cr,sp}$	[mm]	100	145	210

¹⁾ In absence of other national regulations

EuroTec expansion anchor A4

Design according to ETAG001, Annex C
 Characteristic resistance under tension loads

Annex C1

Table 5: Characteristic values for shear loads in case of static and quasi static loading for design design method A acc. ETAG001, Annex C

			M8	M10	M12
Steel failure without lever arm					
Char. resistance	$V_{Rk,s}$	[kN]	10,8	17,1	24,9
Partial safety factor	$\gamma_{Ms}^{1)}$	[-]	1,25		
Steel failure with lever arm					
Char. bending resistance	$M^0_{Rk,s}$	[Nm]	22,1	44,1	77,3
Partial safety factor	$\gamma_{Ms}^{1)}$	[-]	1,25		
Concrete pry-out failure					
Factor in equation (5.6) of ETAG Annex C, § 5.2.3.3	k	[-]	1,0	2,0	2,0
Partial safety factor	$\gamma_2 = \gamma_{inst}$	[-]	1,2		
Concrete edge failure					
Effective length of anchor under shear loading	l_f	[mm]	45	60	70
Outside diameter of anchor	d_{nom}	[mm]	8	10	12
Partial safety factor	$\gamma_2 = \gamma_{inst}$	[-]	1,2		

¹⁾ In absence of other national regulations

EuroTec expansion anchor A4

Design according to ETAG001, Annex C
 Characteristic resistance under shear loads

Annex C2

Table 6: Characteristic tension resistance in cracked and non-cracked concrete under fire exposure for design method A acc. ETAG001, Annex C

			M8	M10	M12
Steel failure					
Characteristic resistance	R30 $N_{Rk,s,fi}$	[kN]	0,7	1,5	2,5
	R60 $N_{Rk,s,fi}$	[kN]	0,6	1,2	2,1
	R90 $N_{Rk,s,fi}$	[kN]	0,4	0,9	1,7
	R120 $N_{Rk,s,fi}$	[kN]	0,4	0,8	1,3
Pullout failure (cracked and non-cracked concrete)					
Char. resistance in concrete \geq C20/25	R30 $N_{Rk,p,fi}$	[kN]	0,5	1,5	3,0
	R60 $N_{Rk,p,fi}$	[kN]	0,5	1,5	3,0
	R90 $N_{Rk,p,fi}$	[kN]	0,5	1,5	3,0
	R120 $N_{Rk,p,fi}$	[kN]	0,4	1,2	2,4
Concrete cone and splitting failure²⁾ (cracked and non-cracked concrete)					
Char. resistance in concrete \geq C20/25	R30 $N^0_{Rk,c,fi}$	[kN]	2,4	5,0	7,4
	R60 $N^0_{Rk,c,fi}$	[kN]	2,4	5,0	7,4
	R90 $N^0_{Rk,c,fi}$	[kN]	2,4	5,0	7,4
	R120 $N^0_{Rk,c,fi}$	[kN]	2,0	4,0	5,9
Characteristic spacing	$s_{cr,N,fi}$	[mm]	180	240	280
Characteristic edge distance	$c_{cr,N,fi}$	[mm]	90	120	140

¹⁾ Design under fire exposure is performed according to the design method given in TR 020. Under fire exposure usually cracked concrete is assumed. The design equations are given in TR 020, Section 2.2.1.

²⁾ As a rule, splitting failure can be neglected when cracked concrete and reinforcement is assumed.

TR 020 covers design for fire exposure from one side. For fire attack from more than one side the edge distance must be increased to $c_{min} \geq 300$ mm and $\geq 2 \cdot h_{ef}$.

EuroTec expansion anchor A4

Design according to ETAG001, Annex C
 Characteristic shear resistance under fire exposure

Annex C3

Table 7: Characteristic shear resistance in cracked and non-cracked concrete under fire exposure for design method A acc. ETAG001, Annex C

			M8	M10	M12
Steel failure without lever arm					
Characteristic resistance	R30 $V_{Rk,s,fi}$	[kN]	0,7	1,5	2,5
	R60 $V_{Rk,s,fi}$	[kN]	0,6	1,2	2,1
	R90 $V_{Rk,s,fi}$	[kN]	0,4	0,9	1,7
	R120 $V_{Rk,s,fi}$	[kN]	0,4	0,8	1,3
Steel failure with lever arm					
Characteristic bending moment	R30 $M^0_{Rk,s,fi}$	[Nm]	0,75	1,9	3,9
	R60 $M^0_{Rk,s,fi}$	[Nm]	0,60	1,5	3,3
	R90 $M^0_{Rk,s,fi}$	[Nm]	0,45	1,2	2,6
	R120 $M^0_{Rk,s,fi}$	[Nm]	0,37	1,0	2,1
Concrete pry-out failure					
Factor in equation (5.6) of ETAG Annex C, § 5.2.3.3	k	[-]	1,0	2,0	2,0
Characteristic resistance	R30 $V_{Rk,cp,fi}$	[kN]	2,4	10,0	14,8
	R60 $V_{Rk,cp,fi}$	[kN]	2,4	10,0	14,8
	R90 $V_{Rk,cp,fi}$	[kN]	2,4	10,0	14,8
	R120 $V_{Rk,cp,fi}$	[kN]	2,0	8,0	11,8
Concrete edge failure					
Eff. length of anchor under shear loading	l_f	[mm]	45	60	70
Outside diameter of anchor	d_{nom}	[mm]	8	10	12

¹⁾ Design under fire exposure is performed according to the design method given in TR 020. Under fire exposure usually cracked concrete is assumed. The design equations are given in TR 020, Section 2.2.2.

TR 020 covers design for fire exposure from one side. For fire attack from more than one side the edge distance must be increased to $c_{min} \geq 300 \text{ mm}$ and $\geq 2 \cdot h_{ef}$.

EuroTec expansion anchor A4

Design according to ETAG001, Annex C
 Characteristic shear resistance shear fire exposure

Annex C4

Table 8: Characteristic values for tension loads in case of static and quasi static loading for design design method A acc. **CEN/TS 1992-4**

			M8	M10	M12	
Steel failure						
Char. resistance	$N_{Rk,s}$	[kN]	19,1	30,9	49,6	
Partial safety factor	$\gamma_{Ms}^{1)}$	[-]	1,5			
Pullout failure $N_{Rk,p} = \Psi_c \times N_{Rk,p}^0$						
Char. resistance in concrete C20/25	cracked	$N_{Rk,p}^0$	[kN]	2,0	6,0	12,0
	non-cracked	$N_{Rk,p}^0$	[kN]	6,0	12,0	16,0
Partial safety factor for cracked or non-cracked concrete	γ_{inst}	[-]	1,2			
Increasing factor for $N_{Rk,p}$	concrete C30/37	Ψ_c	[-]	1,06		
	concrete C40/50		[-]	1,11		
	concrete C50/60		[-]	1,14		
Concrete cone failure and splitting failure						
Effective embedment depth	h_{ef}	[mm]	45	60	70	
Factor for cracked concrete	k_{cr}		7,2			
Factor for non cracked concrete	k_{ucr}		10,1			
Partial safety factor	γ_{inst}	[-]	1,2			
Char. spacing	concrete cone failure	$s_{cr,N}$	[mm]	135	180	210
	splitting failure	$s_{cr,sp}$	[mm]	200	290	420
Char. edge distance	concrete cone failure	$c_{cr,N}$	[mm]	67,5	90	105
	splitting failure	$c_{cr,sp}$	[mm]	100	145	210

¹⁾ In absence of other national regulations

EuroTec expansion anchor A4

Design according to **CEN/TS 1992-4**
 Characteristic resistance under shear loads

Annex C5

Table 9: Characteristic values for shear loads in case of static and quasi static loading for design design method A acc. CEN/TS 1992-4

			M8	M10	M12
Steel failure without lever arm					
Char. resistance	$V_{Rk,s}$	[kN]	10,8	17,1	24,9
Factor considering ductility	k_2	[-]	0,8		
Partial safety factor	$\gamma_{Ms}^{1)}$	[-]	1,25		
Steel failure with lever arm					
Char. bending moment	$M^0_{Rk,s}$	[Nm]	22,1	44,1	77,3
Partial safety factor	$\gamma_{Ms}^{1)}$	[-]	1,25		
Concrete pry-out failure					
Factor in equation (16) of CEN TS 1992-4-4, § 6.2.2.3	k_3	[-]	1,0	2,0	2,0
Partial safety factor	γ_{inst}	[-]	1,2		
Concrete edge failure					
Effective length of anchor under shear loading	l_f	[mm]	45	60	70
Outside diameter of anchor	d_{nom}	[mm]	8	10	12
Partial safety factor	γ_{inst}	[-]	1,2		

¹⁾ In absence of other national regulations

EuroTec expansion anchor A4

Design according to **CEN/TS 1992-4**
 Characteristic resistance shear loads

Annex C6

Table 10: Characteristic tension resistance in cracked and non-cracked concrete under fire exposure for design method A acc. **CEN/TS 1992-4**

			M8	M10	M12
Steel failure					
Characteristic resistance	R30 $N_{Rk,s,fi}$	[kN]	0,7	1,5	2,5
	R60 $N_{Rk,s,fi}$	[kN]	0,6	1,2	2,1
	R90 $N_{Rk,s,fi}$	[kN]	0,4	0,9	1,7
	R120 $N_{Rk,s,fi}$	[kN]	0,4	0,8	1,3
Pullout failure (cracked and non-cracked concrete)					
Char. resistance in concrete \geq C20/25	R30 $N_{Rk,p,fi}$	[kN]	0,5	1,5	3,0
	R60 $N_{Rk,p,fi}$	[kN]	0,5	1,5	3,0
	R90 $N_{Rk,p,fi}$	[kN]	0,5	1,5	3,0
	R120 $N_{Rk,p,fi}$	[kN]	0,4	1,2	2,4
Concrete cone and splitting failure²⁾ (cracked and non-cracked concrete)					
Char. resistance in concrete \geq C20/25	R30 $N^0_{Rk,c,fi}$	[kN]	2,4	5,0	7,4
	R60 $N^0_{Rk,c,fi}$	[kN]	2,4	5,0	7,4
	R90 $N^0_{Rk,c,fi}$	[kN]	2,4	5,0	7,4
	R120 $N^0_{Rk,c,fi}$	[kN]	2,0	4,0	5,9
Characteristic spacing	$s_{cr,N,fi}$	[mm]	180	240	280
Characteristic edge distance	$c_{cr,N,fi}$	[mm]	90	120	140

¹⁾ Design under fire exposure is performed according to the design method given in TR 020. Under fire exposure usually cracked concrete is assumed. The design equations are given in TR 020, Section 2.2.1.

²⁾ As a rule, splitting failure can be neglected when cracked concrete and reinforcement is assumed.

TR 020 covers design for fire exposure from one side. For fire attack from more than one side the edge distance must be increased to $c_{min} \geq 300$ mm and $\geq 2 \cdot h_{ef}$.

EuroTec expansion anchor A4

Design according to **CEN/TS 1992-4**
 Characteristic tension resistance under fire exposure

Annex C7

Table 11: Characteristic shear resistance in cracked and non-cracked concrete under fire exposure for design method A acc. CEN/TS 1992-4

			M8	M10	M12
Steel failure without lever arm					
Characteristic resistance	R30 $V_{Rk,s,fi}$	[kN]	0,7	1,5	2,5
	R60 $V_{Rk,s,fi}$	[kN]	0,6	1,2	2,1
	R90 $V_{Rk,s,fi}$	[kN]	0,4	0,9	1,7
	R120 $V_{Rk,s,fi}$	[kN]	0,4	0,8	1,3
Steel failure with lever arm					
Characteristic bending moment	R30 $M^0_{Rk,s,fi}$	[Nm]	0,75	1,9	3,9
	R60 $M^0_{Rk,s,fi}$	[Nm]	0,60	1,5	3,3
	R90 $M^0_{Rk,s,fi}$	[Nm]	0,45	1,2	2,6
	R120 $M^0_{Rk,s,fi}$	[Nm]	0,37	1,0	2,1
Concrete pry-out failure					
Factor in equation (16) of CEN TS 1992-4-4, § 6.2.2.3	k_3	[-]	1,0	2,0	2,0
Characteristic resistance	R30 $V_{Rk,cp,fi}$	[kN]	2,4	10,0	14,8
	R60 $V_{Rk,cp,fi}$	[kN]	2,4	10,0	14,8
	R90 $V_{Rk,cp,fi}$	[kN]	2,4	10,0	14,8
	R120 $V_{Rk,cp,fi}$	[kN]	2,0	8,0	11,8
Concrete edge failure					
Eff. length of anchor under shear loading	l_f	[mm]	45	60	70
Outside diameter of anchor	d_{nom}	[mm]	8	10	12

¹⁾ Design under fire exposure is performed according to the design method given in TR 020. Under fire exposure usually cracked concrete is assumed. The design equations are given in TR 020, Section 2.2.2.

TR 020 covers design for fire exposure from one side. For fire attack from more than one side the edge distance must be increased to $c_{min} \geq 300 \text{ mm}$ and $\geq 2 \cdot h_{ef}$.

EuroTec expansion anchor A4

Design according to CEN/TS 1992-4
 Characteristic shear resistance shear fire exposure

Annex C8

Table 12: Displacements under tension loading

			M8	M10	M12
Tension load in non-cracked concrete C20/25					
Displacement	δ_{N0}	[mm/(N/mm ²)]	0,5	0,3	0,2
	$\delta_{N\infty}$	[mm/(N/mm ²)]	1,7	0,7	0,4
Tension load in non-cracked concrete C50/60					
Displacement	δ_{N0}	[mm/(N/mm ²)]	0,4	0,2	0,1
	$\delta_{N\infty}$	[mm/(N/mm ²)]	1,7	0,7	0,4
Tension load in cracked concrete C20/25					
Displacement	δ_{N0}	[mm/(N/mm ²)]	0,6	0,5	0,4
	$\delta_{N\infty}$	[mm/(N/mm ²)]	1,7	0,7	0,4
Tension load in cracked concrete C50/60					
Displacement	δ_{N0}	[mm/(N/mm ²)]	0,1	0,1	0,1
	$\delta_{N\infty}$	[mm/(N/mm ²)]	1,7	0,7	0,4

Table 14: Displacements under shear loads

			M8	M10	M12
Shear load in cracked and non-cracked concrete C20/25 to C50/60					
Displacement	δ_{V0}	[mm/(N/mm ²)]	0,4	0,3	0,2
	$\delta_{V\infty}$	[mm/(N/mm ²)]	0,6	0,5	0,3

Additional displacement due to anular gap between anchor and fixture is to be taken into account.

EuroTec expansion anchor A4	Annex C9
Design Displacements	