

PRODUCT DATA SHEET

TERRASOTEC ORNAMENTAL HEAD A4

PRODUCT DESCRIPTION

The Terrasotec ornamental head is used in deck construction for fastening decking boards on a wooden substructure. Terrasotec ornamental head screws are sold in a handy bucket containing 200 screws.

APPLICATIONS

- Can be used in service classes 1 to 3 according to DIN EN 1995 - Eurocode 5 (**A4 T5/CRCIII. Suitable for heavily polluted urban and industrial areas and > 0.25 km from the coastline**).
- Suitable for woods containing tannins and salty atmospheres
- Corrosion-resistant and conditionally acid-resistant
- Good resistance in moderately aggressive environments that do not contain



NKL 1 – 3



MATERIAL

- Austenitic high-grade steel A4 1.4401



CERTIFICATION

- European standard EN 14592



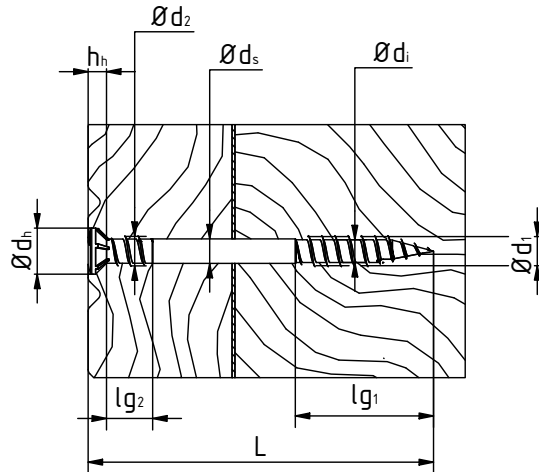
Note

Pre-drilling is recommended!

PRODUCT DATA SHEET

TERRASSTOTEC ORNAMENTAL HEAD A4

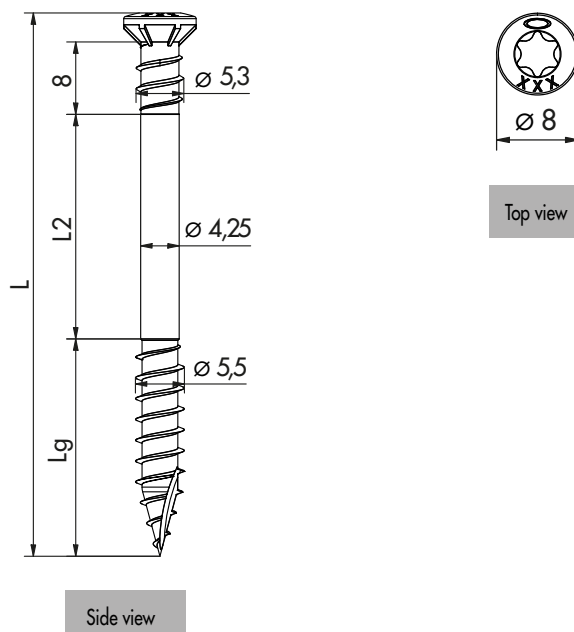
TECHNICAL INFORMATION



Terrasstotec ornamental head A4

Nominal- δ	Under-head thread- δ	Thread length Under-head thread	Head- δ	Root- δ	Shaft- δ	Head height	Head shape	char. tensile capacity ¹⁾	char. yield moment ¹⁾	char. withdrawal parameter ¹⁾	char. Head pull-through parameter ¹⁾	char. torsional strength ¹⁾
d_1 [mm]	d_2 [mm]	lg_2 [mm]	d_h [mm]	d_i [mm]	d_s [mm]	h_h [mm]	—	$f_{tens,k}$ [kN]	$M_{y,k}$ [Nm]	$f_{ax,k}$ [N/mm ²]	$f_{head,k}$ [N/mm ²]	$f_{tor,k}$ [Nm]
5,5	5,30	8,00	8,0	3,95	4,25	3,2	ZK	5,8	4,0	11,4	12,0	5,0

¹⁾ The values have been taken from DOP EN 14592. We cannot guarantee that there are no typographical or printing errors and therefore recommend that you check the documents mentioned above.



PRODUCT DATA SHEET

TERRASOTEC ORNAMENTAL HEAD A4

PRODUCT TABLE

Terrasotec ornamental head A4					
Art. no.	Dimensions Ød x L [mm]	Overall length L [mm]	Thread length lg ₁ [mm]	Drive	PU
982075-EIMER-200	5,5 x 50*	50	17,0	TX25 •	200
982076-EIMER-200	5,5 x 60	60	24,0	TX25 •	200
982077-EIMER-200	5,5 x 70	70	34	TX25 •	200
982078-EIMER-200	5,5 x 80	80	44	TX25 •	200
982080-EIMER-200	5,5 x 100	100	64	TX25 •	200

If you are not familiar with how this product is used, and particularly with the product's intended use, please contact our Application Technology department (Technik@eurotec.team).