

# PRODUCT DATA SHEET

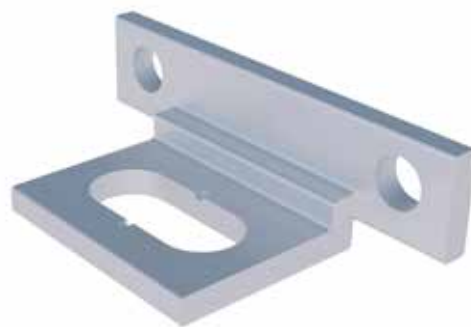
## TERRA CONCRETE CONNECTOR H15

### PRODUCT DESCRIPTION

The TERRA Concrete Connector H15 from Eurotec is designed to connect TERRA H15 aluminium system profiles directly to concrete floors. It is only compatible with the TERRA H15 aluminium system profile.

### MATERIAL

- Aluminium



### PRODUCT TABLE

TERRA Concrete Connector H15

Art. no.	Dimensions <sup>1)</sup> [mm]	Material	PU*
975572	22,75 x 12,75 x 45	Aluminium	10

<sup>1)</sup>Height x length x width

\*Delivery includes self-tapping screws

### APPLICATION IMAGE



Example of use TERRA Concrete Connector H15



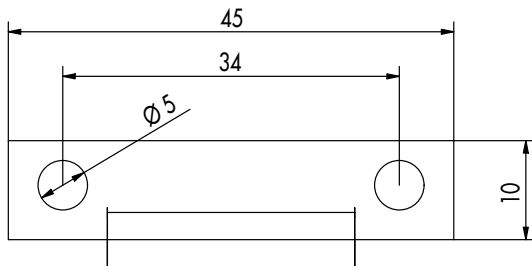
#### NOTE

For the TERRA H15 aluminium system profile only.

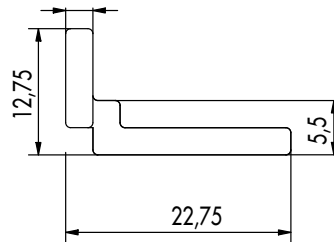
# PRODUCT DATA SHEET

# TERRA CONCRETE CONNECTOR H15

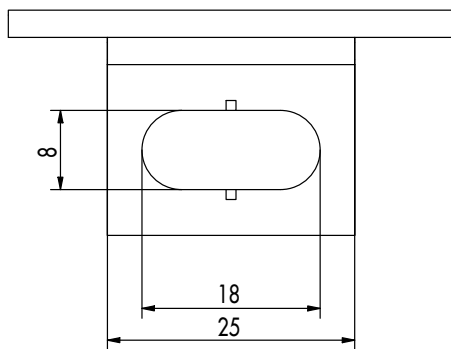
## DRAWINGS



Front view



Side view



Top view

If you are not familiar with how this product is used, and particularly with the product's intended use, please contact our Application Technology department (Technik@eurotec.team).