

# PRODUCT DATA SHEET

## ROCK CONCRETE SCREW, HEXAGONAL

### PRODUCT DESCRIPTION

The rock concrete screw is the practical alternative to traditional plugs and a special screw for anchoring in concrete. The rock concrete screw is screwed directly into the drill hole without a plug or other additional components. As it is screwed in, the thread cuts a mating thread into the subsurface. This type of installation is not only very easy, but also impresses with its minimum assembly time and maximum cost savings. The high-strength screw steel, an extremely complex annealing process, and a special thread ensure that the rock concrete screw also works reliably in class C50/60 high-strength concrete.



### ADVANTAGES / SPECIFICATIONS

- Installation without plugs
- High extraction-resistance values
- No expansion effect, so smaller edge and centre distances are possible
- Broad range of applications thanks to a variety of screw heads and diameters
- An economical fastener
  - Time savings during installation
  - Cost savings in materials
- Time-saving and straightforward installation
  - Setting and installation process performed in a single step

### CERTIFICATION

- European Technical Assessment ETA-15/0886



### MATERIAL

- Galvanised steel



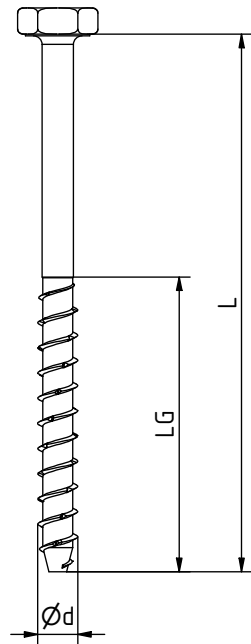
#### Notes

- Drill hole produced only by hammer drilling
- Setting parameters must be adhered to strictly
- Application only in C20/25 to C50/60 normal concrete

# PRODUCT DATA SHEET

# ROCK CONCRETE SCREW, HEXAGONAL

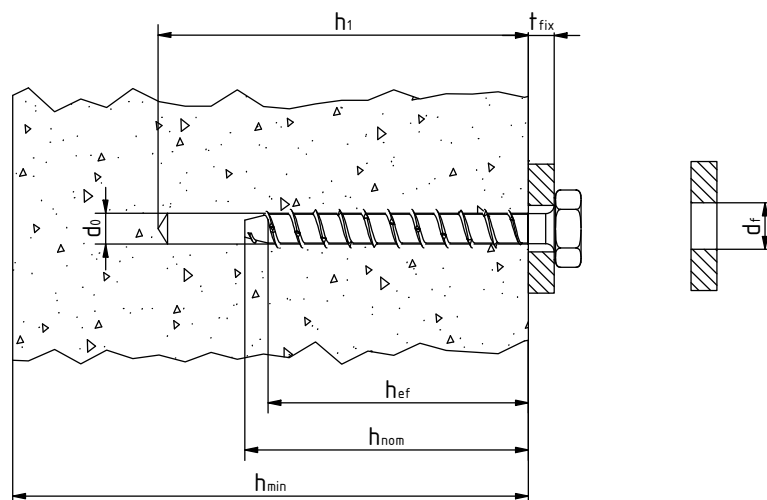
## TECHNICAL INFORMATION



Side view



Top view



# PRODUCT DATA SHEET

# ROCK CONCRETE SCREW, HEXAGONAL

## TECHNICAL INFORMATION

Rock concrete screw, hexagonal													
Art. no.	Dimension Ø x Length	Ø Head	Minimum part thickness	Attachment thickness	Screwing depth	Characteristic load-bearing capacity values for tensile and shear load <sup>a)</sup>				Drill diameter	Depth of drill hole	Diameter of drill hole	min. Edge/ centre distance
						Tensile capacity	Tensile capacity	Shear load-bearing capacity	Bending moment				
	Ød1 x L [mm]	SW/dk [mm]	h <sub>min</sub> [mm]	t <sub>fix</sub> [mm]	h <sub>nom</sub> [mm]	(non- cracked concrete C20/25) N <sub>Rk,p</sub> [kN]	(cracked concrete C20/25) N <sub>Rk,p</sub> [kN]	(Steel) V <sub>Rk,s</sub> <sup>b)</sup> [kN]	(Steel) M <sub>Rk,s</sub> <sup>b)</sup> [Nm]	(Concrete) d <sub>0</sub> [mm]	h <sub>1</sub> [mm]	(Attachment) d <sub>f</sub> [mm]	S <sub>min</sub> /C <sub>min</sub> [mm]
110338*	7,5 x 40	SW 13	100	1	35	-	-	-	-	6	70	9	40
110339*	7,5 x 50			3									
110340	7,5 x 60			5									
110341	7,5 x 80			25									
110342*	10,5 x 60	SW 15	160	3	55	6,0	3,0	22,0	51,0	9	90	12	55
110343	10,5 x 80			5									
110344	10,5 x 100			25									
110345	10,5 x 120			45									
110346	10,5 x 140			65									
110347	10,5 x 160	85											
110336*	12,5 x 60	SW 17	200	3	75	25,0	12,0	35,0	98,0	10	90	14	65
110337	12,5 x 80			5									
110327	12,5 x 100	SW 17	200	5	95	25,0	12,0	35,0	98,0	10	110	14	65
110328	12,5 x 120			25									
110329	12,5 x 140			45									
110330	12,5 x 160			65									
110331	12,5 x 180			85									
110332	12,5 x 200			105									
110333	12,5 x 240			145									
110334	12,5 x 280			185									
110335	12,5 x 320			225									

Setting tool: Electric tangential impact wrench, max. power specification Tmax according to manufacturer's specification, recommended Tmax : 250 Nm for Rock 7.5 x L ; 450 Nm for Rock 10.5 x L and 12.5 x L and 16.5 L.

Note: A higher max. power of the setting tool can lead to destruction of the drill hole or damage to the screw.

Installation with torque spanner: Recommended installation torque Tinst: 20 Nm for Skirt 7.5 x L; 40 Nm for Skirt 10.5 x L and 12.5 x L and 120 Nm for 16.5 x L.

a) The design of a connection must be carried out in accordance with ETAG-001 Annex C. b) Partial safety factors: γMs, V= 1.5; γMs, M= 1.5.

Attention: These are planning aids. Projects may only be dimensioned by authorised persons.

\*Screws not regulated according to ETA-15/0886

**PRODUCT DATA SHEET****ROCK CONCRETE SCREW,  
HEXAGONAL****PRODUCT TABLE**

Rock concrete screw, hexagonal			
Art. no.	Dimension [mm]	Drive	PU
110338*	7,5 x 40	SW 13	100
110339*	7,5 x 50	SW 13	100
110340	7,5 x 60	SW 13	100
110341	7,5 x 80	SW 13	100
110342*	10,5 x 60	SW 15	100
110343	10,5 x 80	SW 15	100
110344	10,5 x 100	SW 15	100
110345	10,5 x 120	SW 15	100
110346	10,5 x 140	SW 15	100
110347	10,5 x 160	SW 15	100
110336*	12,5 x 60	SW 17	100
110337	12,5 x 80	SW 17	100
110327	12,5 x 100	SW 17	100
110328	12,5 x 120	SW 17	100
110329	12,5 x 140	SW 17	100
110330	12,5 x 160	SW 17	100
110331	12,5 x 180	SW 17	100
110332	12,5 x 200	SW 17	100
110333	12,5 x 240	SW 17	100
110334	12,5 x 280	SW 17	100
110335	12,5 x 320	SW 17	100

\*Screws not regulated according to ETA-15/0886

If you are not familiar with how this product is used, and particularly with the product's intended use, please contact our Application Technology department (Technik@eurotec.team).