

PRODUCT DATA SHEET

M-CLIP

PRODUCT DESCRIPTION

With the help of the M-Clip from Eurotec, laterally grooved boards can be to our TERRA, Evenco aluminium system profile or alternatively to a wooden substructure. Only low-movement wood types or WPC boards are suitable for non-visible installation using the M-Clip. Further information on the required groove geometry can be found on the next page.



ADVANTAGES

- Indirect/invisible fastening solution
- Uniform plank spacing of 6 mm
- Weather resistant
- Can be combined with a variety of lateral groove geometries

MATERIAL

- Stainless steel 1.4016 - powder-coated

TECHNICAL INFORMATION



Required Groove Geometry

If you are unsure whether the product is suitable for your project, consult your timber dealer first and ask for the exact dimensions of the side grooves. The floorboard can only be installed if the side groove matches the dimensions shown here.

PRODUCT DATA SHEET

M-CLIP

TECHNICAL INFORMATION

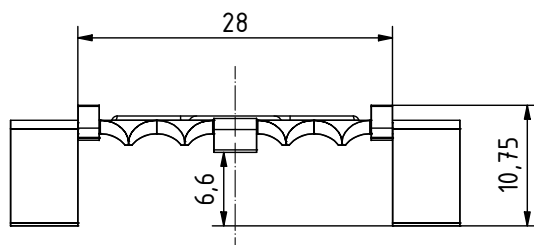


Note

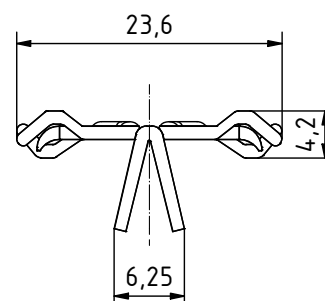
The layer is approx. 45 µm thick all around. Bracket quality according to previously sent 744 h salt spray test report. Neutral salt spray test according to DIN EN ISO 9227:2017-07 based on DIN EN ISO 12944- 6:2018-06

TORQUE

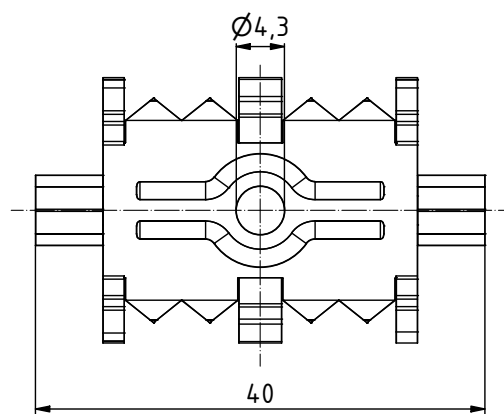
Excessive torque can lead to damage or malfunction of the connection. Therefore, ensure that the torque setting is adjusted and that the impact function on your screwdriver is switched off.



Side view



Front view



Top view

PRODUCT DATA SHEET

M-CLIP

PRODUCT TABLE

| M-clip | | |
|-----------------------------------|-------------------|-----|
| Art. no. | Dimensions [mm] | PU |
| 111896* | 10,75 x 23,6 x 40 | 200 |
| *Delivery includes suitable screw | | |

If you are not familiar with how this product is used, and particularly with the product's intended use, please contact our Application Technology department (technik@eurotec.team).