

# PRODUCT DATA SHEET

## LOAD DISTRIBUTING PLATE

### PRODUCT DESCRIPTION

Installing a terrace on an **insulated flat roof** often gives rise to difficulties with regard to load and **load distribution**. Insulating materials can press through the terrace base at certain points, thereby damaging the insulation and the flat roof. With the **Eurotec load distributing plate**, by contrast, the load on the terrace base is spread over a greater surface and **distributed more evenly** across the terrace.

In contrast to **other load distribution options** (such as stone slabs and wooden panels), load distributing plates are much more durable and easier to transport; they also **weigh far less**.

Load distributing plates **can be combined** with our PRO, SL PRO, BASE and SL BASE adjustable pedestals, our EVO and EVO Slim.



### ADVANTAGES

- Fast and easy assembly thanks to the click system
- Controlled load distribution
- Low weight helps to protect the subsurface
- Ease of transport, in contrast to alternative designs
- Durable and resistant to UV radiation and rot
- Low installation height compared to conventional load distribution solutions

### MATERIAL

- PP-C (polypropylene-copolymer)

### APPLICATION IMAGES



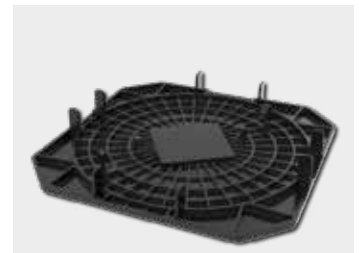
Load distributing plate +  
Pro M adjustable pedestal



Load distributing plate  
+ aluminium profile



Load distributing plate  
+ BASE 3 adjustable pedestal



Load distributing plate  
+ Rolfi spacer EPDM

# PRODUCT DATA SHEET

# LOAD DISTRIBUTING PLATE

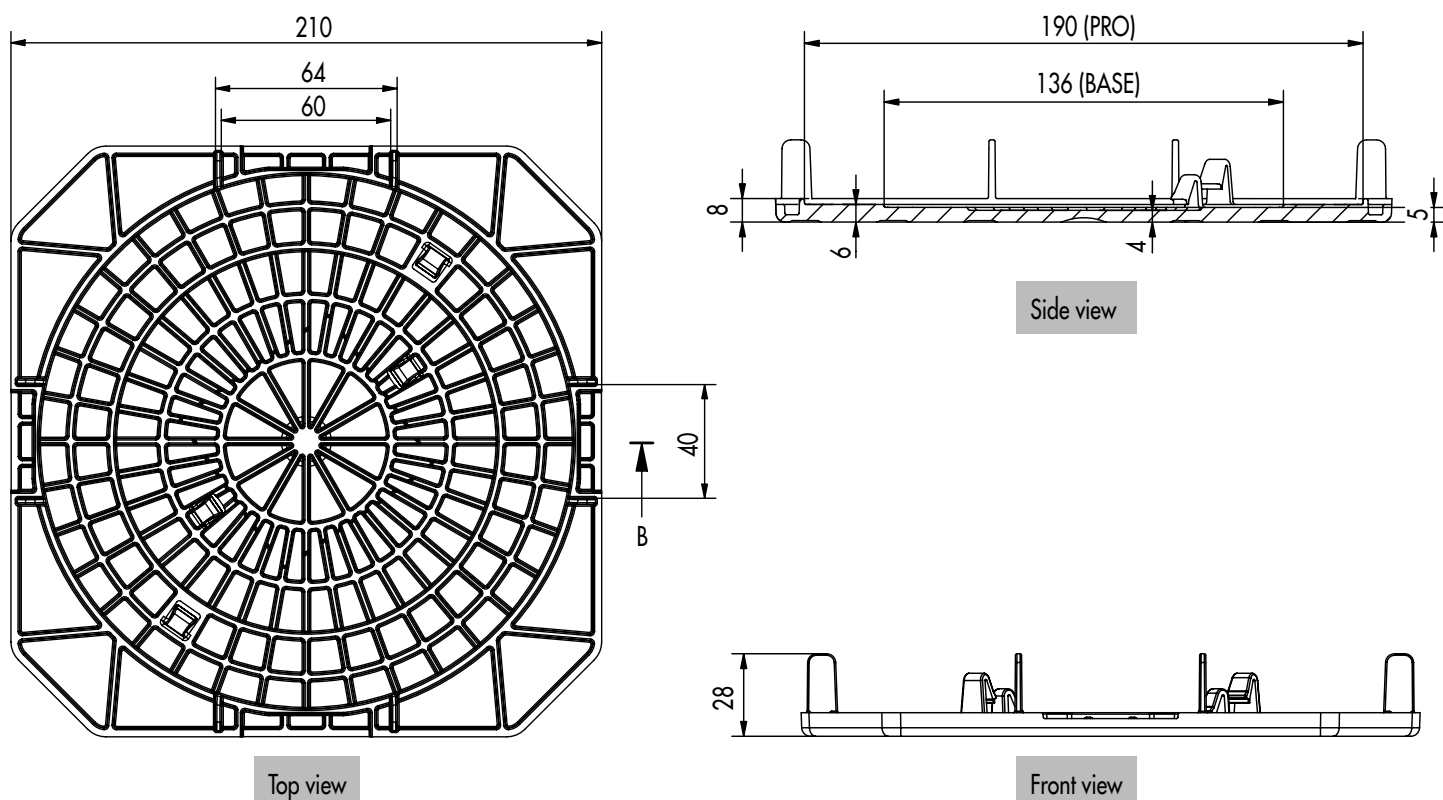
## PRODUCT TABLE

### Load distributing plate

Art. no.	Dimension <sup>1)</sup> [mm]	Material	PU
100016	28 x 210 x 210	PP-C (polypropylene-copolymer)	10

<sup>1)</sup>Height x width x length

## DRAWINGS



If you are not familiar with how this product is used, and particularly with the product's intended use, please contact our Application Technology department ([technik@eurotec.team](mailto:technik@eurotec.team)).