

PRODUCT DATA SHEET

KLIMAX INSULATION-PANEL HOLDER

PRODUCT DESCRIPTION

The KlimaX insulation board holder from Eurotec is the ideal way to fix wood fibre insulation elements. Energy-saving measures are becoming increasingly important in the construction of new houses and also enjoy state support!

Decoupling the individual fastening components avoids the creation of thermal bridges. Good insulation results in an extraordinarily comfortable environment. The Klimax insulation-panel holder, in conjunction with the Paneltwistec screws from Eurotec, offers an ideal combination for fastening wood-fibre insulation elements. The prerequisite for this is a load-bearing timber substructure.



ADVANTAGES / SPECIFICATIONS

- The plate holders with latched screw covers
- Extremely strong dowel head
- Maximum diameter of the screw: 6 mm
- Universally suitable for many different insulation materials and substrates

MATERIAL

- Polypropylene

FOR FASTENING THE FOLLOWING INSULATING MATERIALS

- Styropor
- Styrofoam
- Wood fibre boards
- Rock wool
- Styrodur
- XPS
- EPS

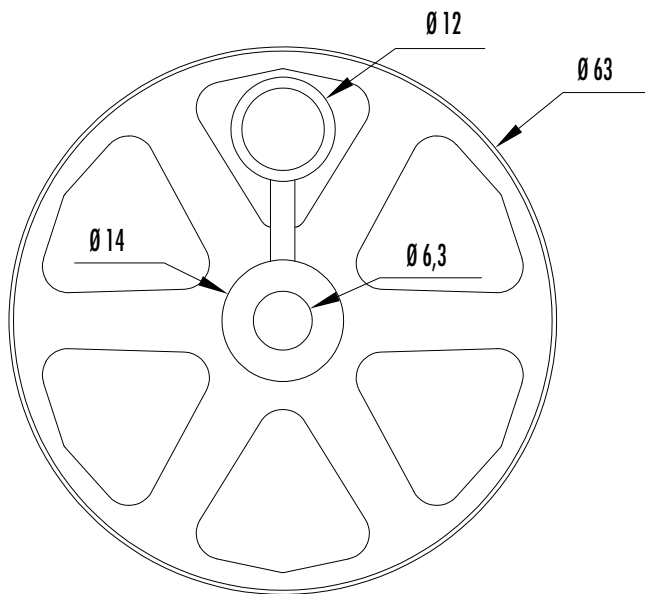
ARTICLE TABLE

KlimaX insulation board holder			
Art. no.	Dimension Ø [mm]	Material	PU
945251	60	Polypropylen	400

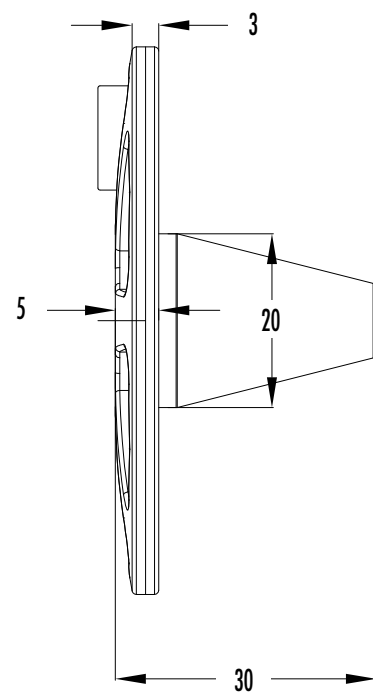
PRODUCT DATA SHEET

KLIMAX INSULATION-PANEL HOLDER

TECHNICAL INFORMATION



Top view



Side view

PRODUCT DATA SHEET

KLIMAX INSULATION-PANEL HOLDER

COMBINABLE PRODUCTS

FIX-FIT mounting profile				
Art. no.	Designation	Dimension Ød x L [mm]	Material	PU
945583	Panelwistec AG, countersunk head screw	6,0 x 60	Hardened carbon steel + blue galvanized	200
945584	Panelwistec AG, countersunk head screw	6,0 x 70	Hardened carbon steel + blue galvanized	200
945632	Panelwistec AG, countersunk head screw	6,0 x 80	Hardened carbon steel + blue galvanized	200
945633	Panelwistec AG, countersunk head screw	6,0 x 90	Hardened carbon steel + blue galvanized	200
945634	Panelwistec AG, countersunk head screw	6,0 x 100	Hardened carbon steel + blue galvanized	200
945635	Panelwistec AG, countersunk head screw	6,0 x 110	Hardened carbon steel + blue galvanized	200
945636	Panelwistec AG, countersunk head screw	6,0 x 120	Hardened carbon steel + blue galvanized	200
945637	Panelwistec AG, countersunk head screw	6,0 x 130	Hardened carbon steel + blue galvanized	200
945638	Panelwistec AG, countersunk head screw	6,0 x 140	Hardened carbon steel + blue galvanized	200
945639	Panelwistec AG, countersunk head screw	6,0 x 150	Hardened carbon steel + blue galvanized	200
945640	Panelwistec AG, countersunk head screw	6,0 x 160	Hardened carbon steel + blue galvanized	200
945641	Panelwistec AG, countersunk head screw	6,0 x 180	Hardened carbon steel + blue galvanized	200
945642	Panelwistec AG, countersunk head screw	6,0 x 200	Hardened carbon steel + blue galvanized	200
945643	Panelwistec AG, countersunk head screw	6,0 x 220	Hardened carbon steel + blue galvanized	200
945644	Panelwistec AG, countersunk head screw	6,0 x 240	Hardened carbon steel + blue galvanized	200
945645	Panelwistec AG, countersunk head screw	6,0 x 260	Hardened carbon steel + blue galvanized	200
945646	Panelwistec AG, countersunk head screw	6,0 x 280	Hardened carbon steel + blue galvanized	200
945647	Panelwistec AG, countersunk head screw	6,0 x 300	Hardened carbon steel + blue galvanized	200

If you are not familiar with how this product is used, and particularly with the product's intended use, please contact our Application Technology department (Technik@eurotec.team).