

PRODUCT DATA SHEET

BOLT ANCHOR, ECB-FZ-C3

PRODUCT DESCRIPTION

The Eurotec bolt anchor is a **torque controlled expansion anchor** made of galvanised steel **designed for push-through installation** in cracked and uncracked concrete. What makes this bolt anchor special is that it has both a **high load-bearing capacity** and is simultaneously suitable for installation at very small centre and edge distances. This bolt anchor is available in a number of different sizes **for a range of anchoring depths**, which means that it can be used **in a number** of different ways. Every bolt anchor is fitted with an expansion clip, which assures their high load-bearing capacity and means that it is possible to **use fewer anchorage points**.

ADVANTAGES

- Option 1 in cracked and uncracked concrete
- Resistant to seismic activity
- Approved for fire resistance class R30-R120 in concrete
- Can be used in service classes 1-2
- High extraction values
- Seismic performance tested to categories C1 and C2
- Low expansion range, which means that they can be placed close together and near edges

IMAGES OF APPLICATION



Anchors installed in a base plate



PRODUCT DATA SHEET

BOLT ANCHOR, ECB-FZ-C3

MATERIAL

- **Anchor rod:** Carbon steel, galvanized $\geq 5 \mu\text{m}$
- **Flat washer:** DIN 125 or DIN 9021 / DIN 440, galvanized $\geq 5 \mu\text{m}$
- **Nut:** DIN 934, galvanized $\geq 5 \mu\text{m}$
- **Expansion sleeve:** Carbon steel strap, sheradised $\geq 15 \mu\text{m}$

Intended use	M8	M10	M12	M16	M20
Seismic stress, category C1	X	X	X	X	X
Seismic stress, category C2		X	X		X
Resistance to fire	X	X	X	X	X

PRODUCT TABLE

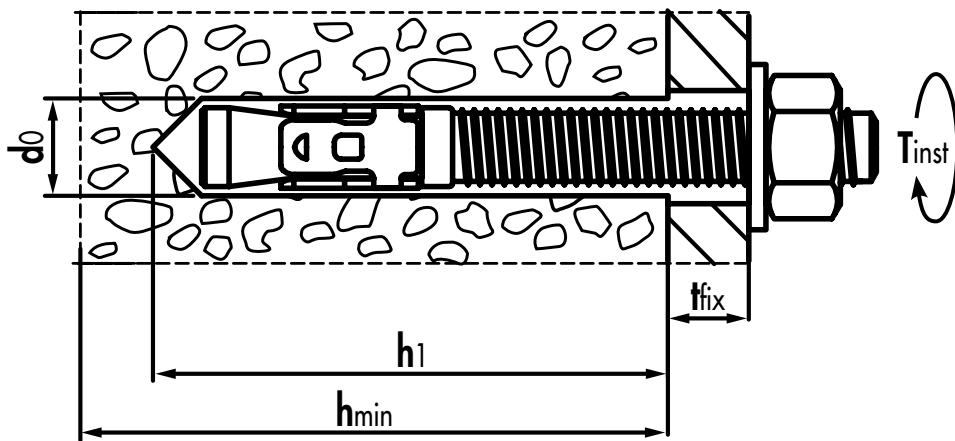
Bolt anchor ECB-FZ-C3				
Art. no.	Dimensions $\varnothing d \times L$ [mm]	Washers		PU
946227	M8.0 x 50*	DIN 125		100
946228	M8.0 x 75	DIN 125		100
946229	M8.0 x 80	DIN 125		100
946230	M8.0 x 95	DIN 125		100
946231	M8.0 x 115	DIN 125		100
946232	M10.0 x 90	DIN 125		100
946233	M10.0 x 105	DIN 125		50
946234	M10.0 x 115	DIN 125		50
946235	M10.0 x 135	DIN 125		50
946236	M10.0 x 165	DIN 125		50
946237	M10.0 x 185	DIN 125		50
946238	M12.0 x 80*	DIN 125		50
946239	M12.0 x 100	DIN 125		50
946240	M12.0 x 110	DIN 125		50
946241	M12.0 x 120	DIN 125		50
946242	M12.0 x 130	DIN 125		50
946243	M12.0 x 150	DIN 125		50
946244	M12.0 x 180	DIN9021 / DIN 440		50
946245	M12.0 x 200	DIN9021 / DIN 440		50
946246	M12.0 x 220	DIN9021 / DIN 440		25
946247	M12.0 x 255	DIN9021 / DIN 440		25
946248	M16.0 x 145	DIN9021 / DIN 440		25
946249	M16.0 x 175	DIN9021 / DIN 440		25
946250	M16.0 x 220	DIN9021 / DIN 440		25
946251	M16.0 x 250	DIN9021 / DIN 440		25
946252	M20.0 x 170	DIN9021 / DIN 440		20
946253	M20.0 x 200	DIN9021 / DIN 440		20

*Not currently ETA certified

PRODUCT DATA SHEET

BOLT ANCHOR, ECB-FZ-C3

DRAWING

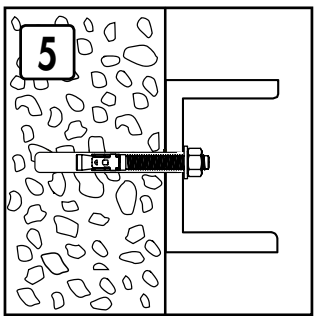
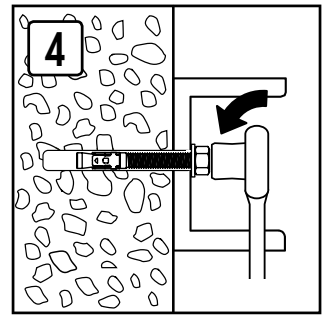
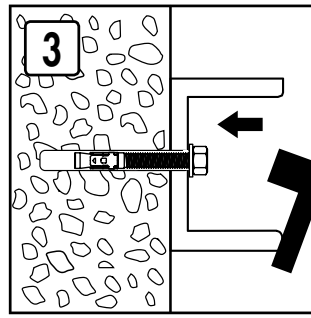
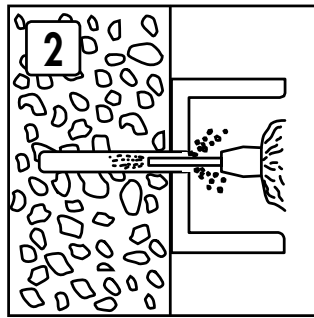
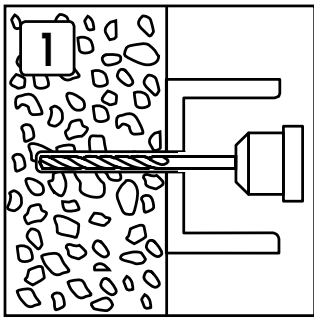


Dimensions Ød x L [mm]	"h _{min} " [mm]"	"d ₀ " [mm]"	"h ₁ " [mm]"	"t _{fix} " [mm]"	"T _{inst} " [Nm]"
M8.0 x 50	100	8	40	2	15
M8.0 x 75	100	8	60	9	15
M8.0 x 80	100	8	60	14	15
M8.0 x 95	100	8	60	29	15
M8.0 x 115	100	8	60	49	15
M10.0 x 90	120	10	75	10	40
M10.0 x 105	120	10	75	25	40
M10.0 x 115	120	10	75	35	40
M10.0 x 135	120	10	75	55	40
M10.0 x 165	120	10	75	85	40
M10.0 x 185	120	10	75	105	40
M12.0 x 80	140	12	65	4	60
M12.0 x 100	140	12	85	4	60
M12.0 x 110	140	12	85	14	60
M12.0 x 120	140	12	85	24	60
M12.0 x 130	140	12	85	34	60
M12.0 x 150	140	12	85	54	60
M12.0 x 180	140	12	85	84	60
M12.0 x 200	140	12	85	104	60
M12.0 x 220	140	12	85	124	60
M12.0 x 255	140	12	85	159	60
M16.0 x 145	170	14	105	28	100
M16.0 x 175	170	14	105	58	100
M16.0 x 220	170	14	105	103	100
M16.0 x 250	170	14	105	133	100
M20.0 x 170	200	20	125	32	200
M20.0 x 200	200	20	125	62	200

PRODUCT DATA SHEET

BOLT ANCHOR, ECB-FZ-C3

ASSEMBLY INSTRUCTIONS



- 1 Drill hole
- 2 Thoroughly clean drill hole
- 3 Drive in bolt anchor with a hammer
- 4 Screw on and tighten the hex nut to the relevant torque
- 5 Finished!



INFO:

For more information about the assembly instructions, visit www.eurotec.team

MATERIALS:

- Reinforced and unreinforced standard concrete without fibres in accordance with EN 206:2013+A1:2016
- Strength class C20/25 to C50/60 in accordance with EN 206:2013+A1:2016
- Cracked and uncracked concrete

If you are not familiar with this product's application, and particularly with the product's intended use, please contact our Application Technology department (technik@eurotec.team).