

PRODUCT DATA SHEET

V-CLIP

PRODUCT DESCRIPTION

The stainless steel Eurotec V-Clip is suitable for the fastening of asymmetric grooved decking made of dimensionally stable timber types or WPC on timber substructures.



ADVANTAGES AND SPECIFICATIONS

- Indirect / hidden fastening solution
- Compatible with classic wooden substructures
- Uniform board clearance of 7 mm
- Delivery includes screw with diameter of 4.2 x 25 mm and 1 Bit/PU

MATERIAL

A2 stainless steel

- Suitable for saline atmospheres to a limited extent
- Acid-resistant to a limited extent
- Not suitable for chlorinated atmospheres
- Can be used in service classes 1, 2 and 3
- Can be used to a limited extent for woods containing a large amount of tannins such as oak

IMAGES OF APPLICATIONS



The V-Clip is designed for a decking board with asymmetrical groove.



The V-Clip is designed for a decking board with asymmetrical groove.

PRODUCT DATA SHEET

V-CLIP

PRODUCT TABLE

Art. no.	Dimensions ⁰¹ [mm]	PU*
111885	32.3 x 22.7 x 9.4	250

⁰¹Length x width x height

*Delivery includes screw with diameter of 4.2 x 25 mm and 1 Bit / PU

TORQUE



Excessive torque can cause damage to or malfunction of the connection.

So make sure that you adjust the torque setting and switch off the impact function on your screwdriver.

i INSTRUCTIONS FOR USE

The V-Clip should only be used for dimensionally stable decking boards with asymmetric grooving. Dimensionally stable decking includes the following timber types:

- Larch
- Douglas fir
- Wood-polymer composites (WPC)
- Thermowoods made of softwoods and hardwoods
- Acetylate wood

It is not recommended to use the decking clip for timber with high bulk density and/or high swelling and shrinkage and only moderate resilience (dimensional stability). This particularly applies to the cumaru, macaranduba and robinia (false acacia) wood types.

When selecting the wood, special attention should also be paid to good grading (e.g. sorting out boards that are interspersed with rotational growth and what are known as 'wavy grain boards'), as well as good conditioning (adjustment of the target moisture content) of the decking boards.

If necessary, the suitability of the wood type must be determined by the manufacturer / wood supplier.

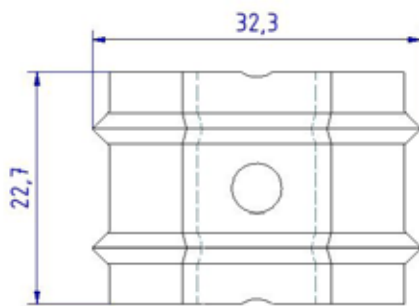
PRODUCT DATA SHEET

V-CLIP

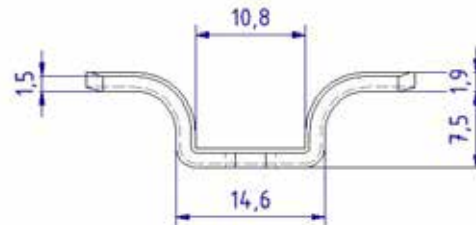
DRAWINGS

The decking clip is suitable for boards with the following groove geometry:

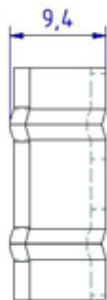
- Wood panel thickness: $\geq 8 - 10$ mm
- Groove width: ≥ 2.5 mm
- Groove depth: ≥ 8.2 mm



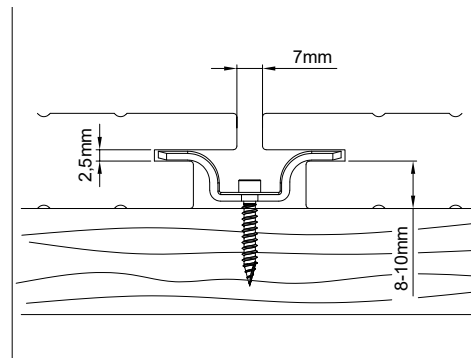
Top view



Side view



Front view



Side view

If you are not familiar with how to use this product, especially with its intended use, get in touch with our Application Engineering Department (technik@eurotec.team).