

PRODUCT DATA SHEET

WASHERED SCREW

PRODUCT DESCRIPTION

The wood screws of **A2 grade stainless steel** are suitable for both interiors and exteriors. They are used, for example, for the **permanent tight fastening** of wall installation profiles, wall copings and domed rooflights as well as roof mountings and chimney flashing.

The heads can generally **be coated in any RAL colour***, so their colour can be adapted to the most diverse of mounting elements.



SPECIFICATIONS

- Manufacturing process: Powder coating
- Two-part (with sealing disk)

MATERIAL

- A2 stainless steel

ADVANTAGES

- Available in other colours (carmine red, black-grey and white)*



APPLICATION IMAGE



The wall connection bar is mounted with a washered screw.

*Carmine red, black-grey and white are standard colours in the range. Other RAL colours are available on request.

© by E.u.r.o.Tec GmbH · Last Update 02/2022 · Subject to changes, additions, typesetting and printing errors.

Page 1 of 2

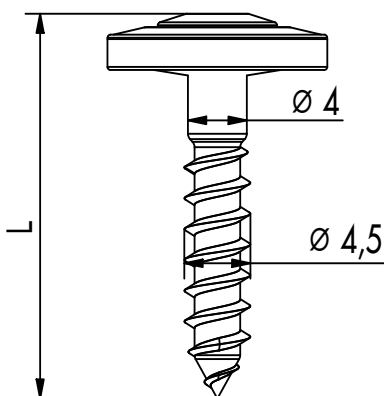
PRODUCT DATA SHEET

WASHERED SCREW

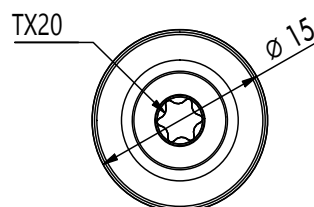
PRODUCT TABLE

Art. no.	Dimensions Ød x L [mm]	Drive	PU
111550	4,5 x 20	TX20	200
111551	4,5 x 25	TX20	500
111552	4,5 x 35	TX20	200
111553	4,5 x 45	TX20	200
111557	4,5 x 65	TX20	200
111558	4,5 x 80	TX20	200
111559	4,5 x 100	TX20	200
111560	4,5 x 120	TX20	200
111561	4,5 x 150	TX20	200
W111551	4,5 x 25	TX20	500
W111552	4,5 x 35	TX20	200
W111553	4,5 x 45	TX20	200
SGM111551	4,5 x 25	TX20	500
SGM111552	4,5 x 35	TX20	200
SGM111553	4,5 x 45	TX20	200
SGM111557	4,5 x 65	TX20	200
SGM111558	4,5 x 80	TX20	200
SGM111559	4,5 x 100	TX20	200
BR111558	4,5 x 80	TX20	200

DRAWINGS



Front view



Top view

If you are not familiar with how this product is used, and particularly with the product's intended use, please contact our Application Technology department (technik@eurotec.team).