

PRODUCT DATA SHEET

EDGE FINISH SINGLE SUPPORT

PRODUCT DESCRIPTION

The Eurotec **edge finish single support** is a simple, top quality way of forming edge finishes **for stone decks with individual support**.

The set is made up of **two stainless steel profiles**, one of which is placed on top of the adjustable foot and one underneath it, so that the **cut slabs are bordered at the top and bottom**. For this to work, the stones must be **cut to the desired height** and then inserted **between the frames**.

The edge finish single support can be combined with the Eurotec **adjustable feet professional line S – XL, along with GIANT S – XL**.

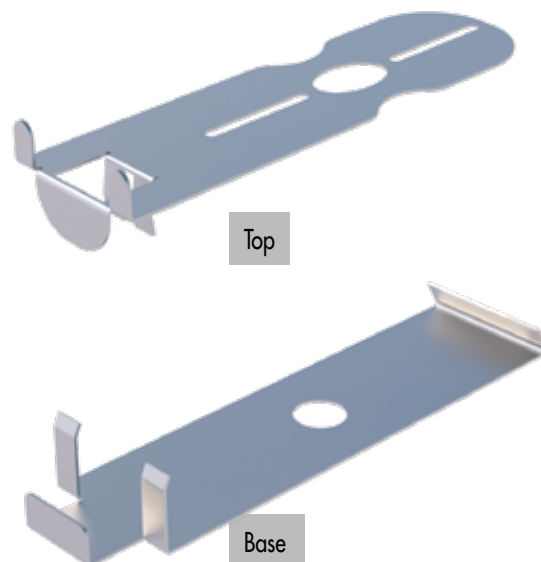
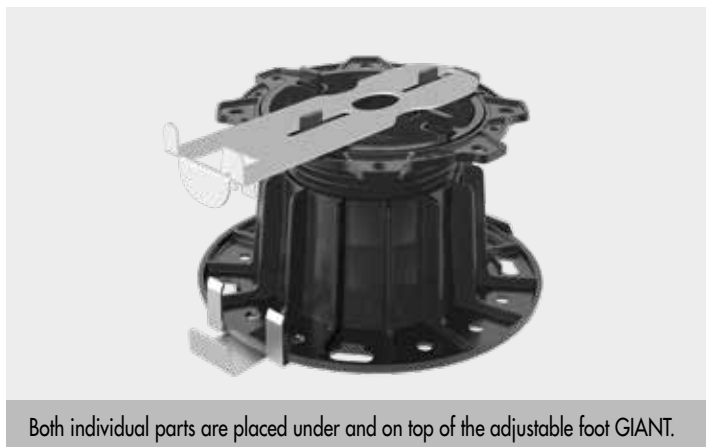
ADVANTAGES

- Simple assembly – no screws or drilling required
- Top quality stainless steel edge support – no danger of corrosion
- Frames help prevent subsequent slipping of the stone slabs.

MATERIAL

- 1.4016 according to EN 10088

APPLICATION IMAGE



PRODUCT DATA SHEET

EDGE FINISH SINGLE SUPPORT

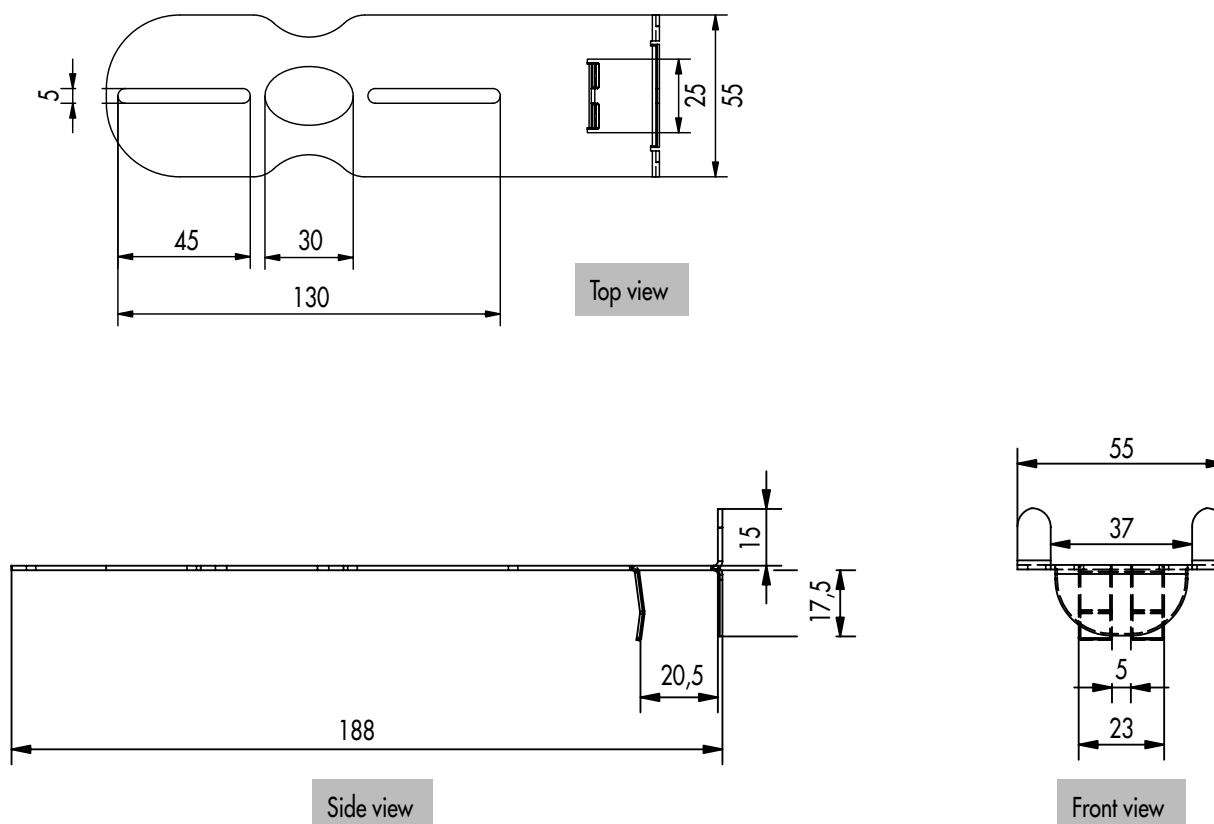
PRODUCT TABLE

Art. no.	Model	Dimensions ¹⁾ [mm]	Material	PU
975606	Top	32,5 x 55 x 188	1.4016 according to EN 10088	10
975606	Base	29,5 x 55 x 216	1.4016 according to EN 10088	10

¹⁾Height x width x length

DRAWINGS

TOP:

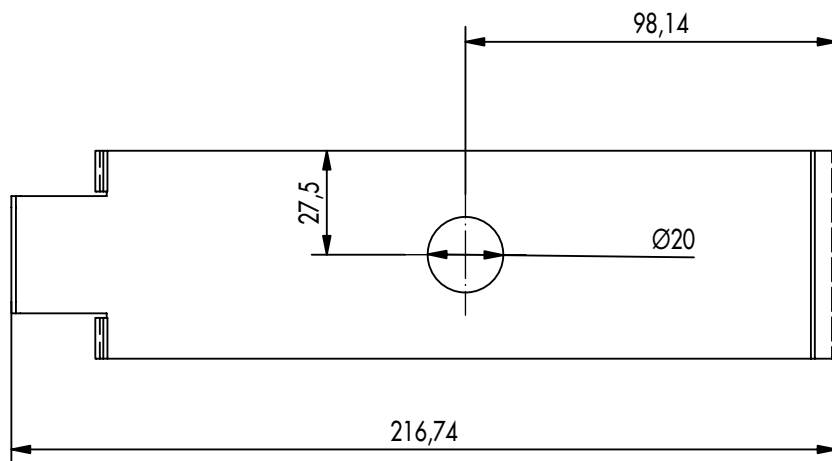


PRODUCT DATA SHEET

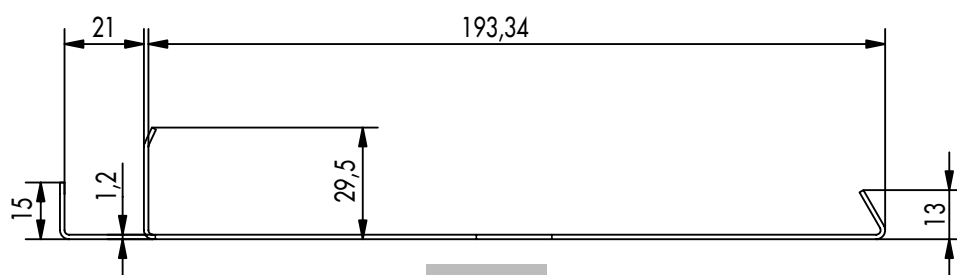
EDGE FINISH SINGLE SUPPORT

DRAWINGS

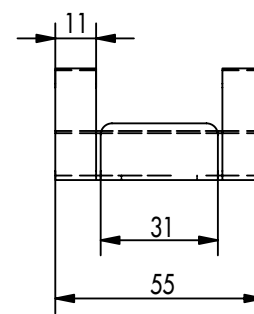
BASE:



Top view



Side view



Front view

If you are not familiar with how this product is used, and particularly with the product's intended use, please contact our Application Technology department (technik@eurotec.team).