

PRODUCT DATA SHEET

CROSS BRACING EVO AND EVECO

PRODUCT DESCRIPTION

Our cross bracing is the perfect complement to our aluminium profiles. The pre-mounted brackets make installation even easier.

ADVANTAGES / SPECIFICATIONS

- Simple, time-saving assembly
- Faster completion of the terraces
- The prefabricated cross bracing prevents the costly process of cutting the profiles on the construction site.
- Clean prefabrication ensures professional assembly.



MATERIAL

- Aluminium

AL

PRODUCT TABLE

Cross bracing Eveco and EVO			
Art.-Nr.	Product name	Dimensions [mm] ^{a)}	PU
975666	Cross bracing EVO	340 x 60 x 40	1
975667	Cross bracing Eveco	361 x 40 x 24	1

a) Length x width x height



Note

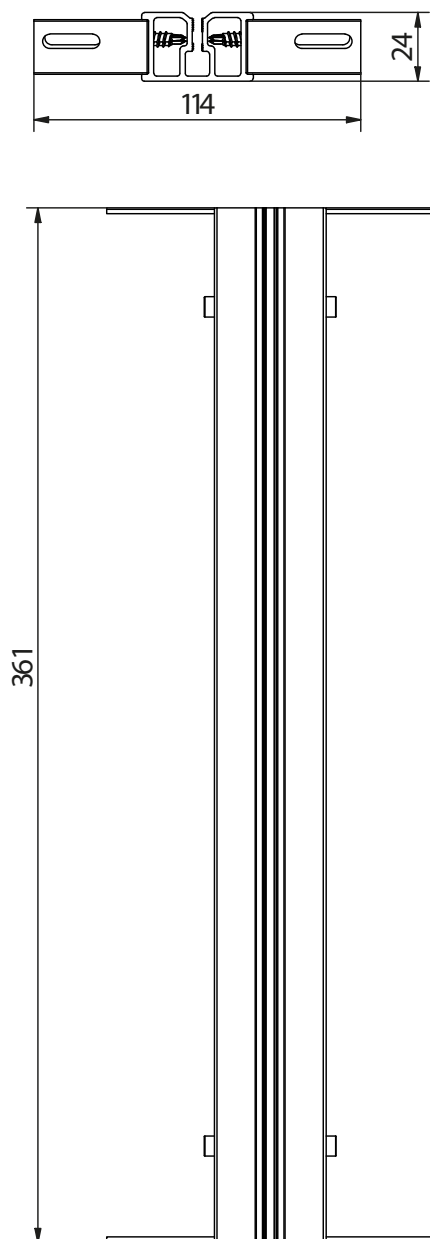
The cross bracings can only be used with a centre distance of 400 mm.

PRODUCT DATA SHEET

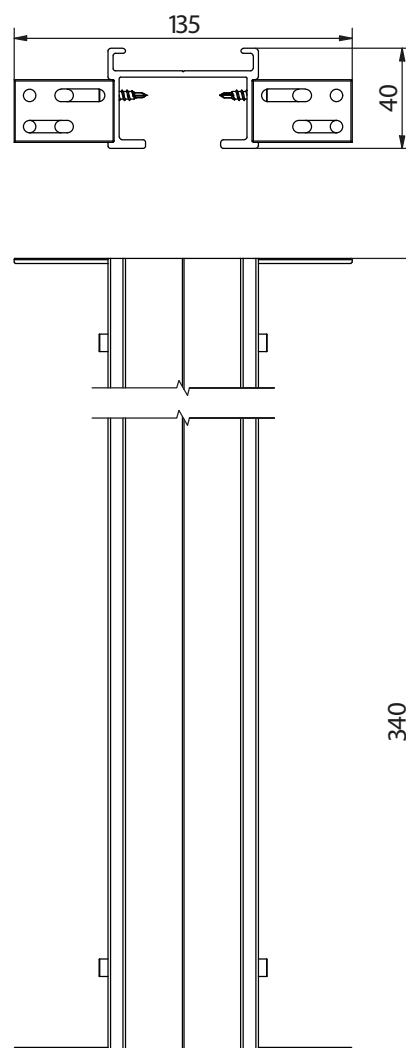
CROSS BRACING EVO AND EVECO

DRAWINGS

Cross bracing Eveco



Cross bracing EVO



If you are not familiar with how this product is used, and particularly with the product's intended use, please contact our Application Technology department (Technik@eurotec.team).