

PRODUCT DATA SHEET

PEDIX EASY 135 + 65 /
PEDIX EASY 200 + 100

PRODUCT DESCRIPTION

The PediX Easy 135+65 and PediX Easy 200+100 are post supports for lightweight timber structures that meet structural wood preservation requirements. They can be assembled on the end grain without any need for additional joinery work or pilot drilling using fully threaded screws. Following assembly, the height of the support pedestals can still be adjusted by 65 mm or 100 mm. Thanks to the height adjustment, manufacturing tolerances relating to the structure and subsequent settlement in the individual foundations can be balanced out. The PediX Easy 135+65 and PediX Easy 200+100 can also absorb horizontal loads. The pedestal's durability is guaranteed by a zinc/nickel coating.

ADVANTAGES

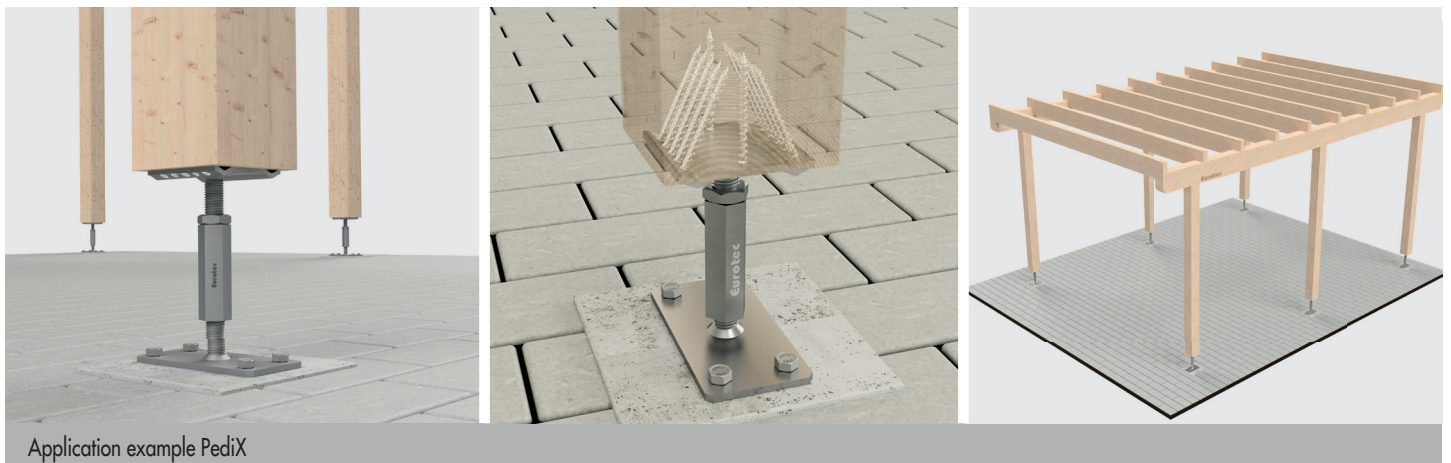
- Simple assembly with fully threaded screws without any need for joinery work, pilot drilling or milling
- Min. timber cross-section: 100 x 100 mm
- Can be used in service classes 1, 2 and 3 according to DIN EN 1995-1-1

MATERIAL

- S235JR structural steel with zinc/nickel coating



IMAGES OF APPLICATIONS



Application example PediX

PRODUCT DATA SHEET

PEDIX EASY 135 + 65 / PEDIX EASY 200 + 100

PRODUCT TABLE

Art. no.	Name	Dimensions of the base plate [mm] ¹⁾	Height adjustment in assembled state [mm]	Compressive load-bearing capacity $N_{c,d}$ [kN]	Tensile load-bearing capacity $N_{t,d}$ [kN]	Shear force load-bearing capacity $V_{R,d}$ [kN] ²⁾	PU*
904678	PediX Easy 135+65	160 x 100 x 6	135 x 200	5,8	5,4	1,1	4
904684	PediX Easy 200+100	160 x 100 x 6	200 x 300	5,8	5,4	0,75	4

1) Length x width x height

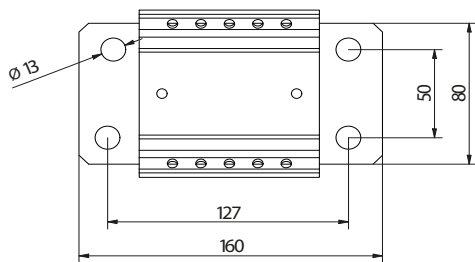
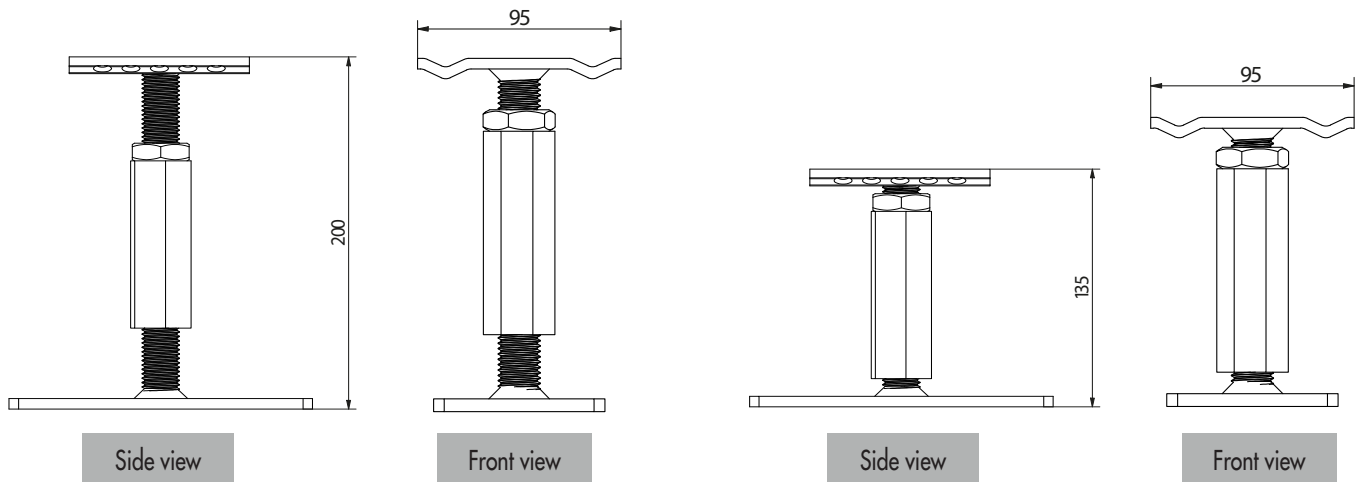
* Delivery incl. twelve A2 fully threaded screws (Ø 5.0 x 80 mm) per post support

2) The shear force load-bearing capacity must be overlaid with the compressive and tensile forces and may lead to lower load-bearing capacities depending on the service class and load duration. Shear force load-bearing capacity stated with $k_{mod} = 0.8$ (service class 3, load duration class short/very short according to DIN EN 1991-1-4 NA).

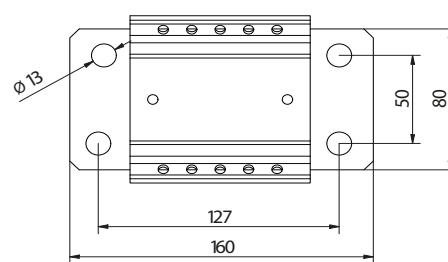
Please note: The stated values are planning aids / preliminary measurements. They are subject to typographical and printing errors. Projects must only be calculated by authorised persons.

DRAWINGS

PEDIX EASY 135+65



Top view



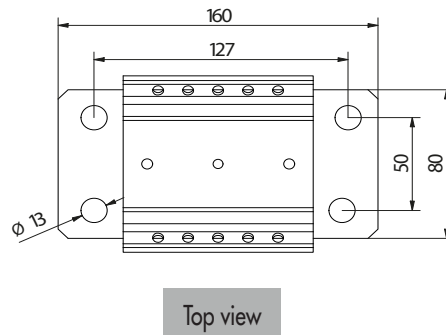
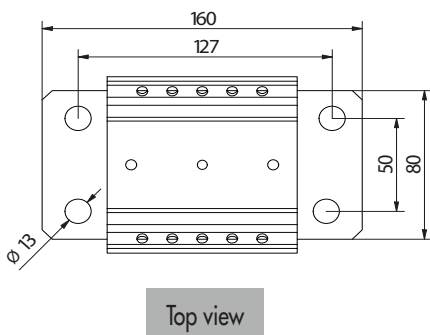
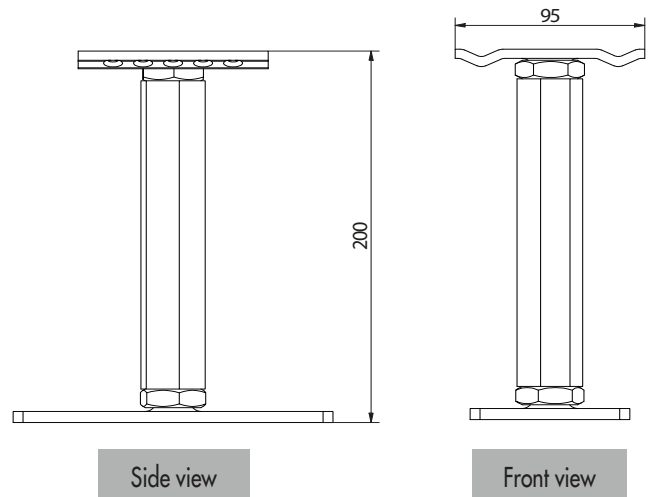
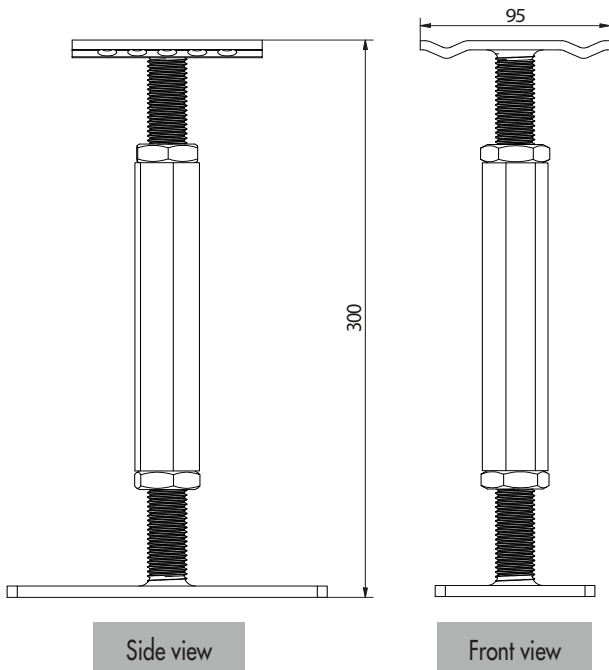
Top view

PRODUCT DATA SHEET

PEDIX EASY 135 + 65 /
PEDIX EASY 200 + 100

DRAWINGS

PEDIX EASY 200+100



If you are not familiar with how to use this product, especially with its intended use, get in touch with our Application Engineering department (technik@eurotec.team).