

PRODUCT DATA SHEET

PANELTWISTEC AG

PRODUCT DESCRIPTION

Paneltwistec AG made of blue galvanised and hardened carbon steel is a wooden construction screw with a special screw tip and milling ribs above the thread. The screw is available in two versions, one with a countersunk head and one with a flange button head. The AG screw tip's special geometry reduces the torque needed to drive it in and minimises the risk of the timber splitting.

ADVANTAGES

- Faster and easier screwing
- Reduced splitting
- ETA - European Technical Assessment
- Suitable for service classes 1 and 2
- Free of chromium(VI) oxide
- No hitting of screw when screwing in with Torx drive

MATERIAL

- Tempered carbon steel, blue zinc-plated
- Not suitable for timbers containing tannins

APPLICATION IMAGES



Fixing of fasteners (steel-timber connectors)



Wood-wood connections (rafter-level insulation)



PRODUCT DATA SHEET

PANELTWISTEC AG

CERTIFICATION

- European Technical Assessment ETA-11/0024
Self-tapping screws as wood fasteners
- Wooden Paneltwistec screws from Ø 6.0, also suitable for fastening
rafter insulation systems (Ø 8.0 is used as standard)



ARTICLE TABLE

Paneltwistec AG countersunk head, steel, blue zinc-plated			
Art. no.	Dimensions Ød x L [mm]	Drive	PU
945436	3,5 x 30	TX15 ●	1000
945838	3,5 x 35	TX15 ●	1000
945437	3,5 x 40	TX15 ●	1000
945490	3,5 x 50	TX15 ●	500
945491	4,0 x 30	TX20 ●	1000
945836	4,0 x 35	TX20 ●	1000
945492	4,0 x 40	TX20 ●	1000
945493	4,0 x 45	TX20 ●	500
945494	4,0 x 50	TX20 ●	500
945495	4,0 x 60	TX20 ●	200
945496	4,0 x 70	TX20 ●	200
945497	4,0 x 80	TX20 ●	200
945498	4,5 x 40	TX25 ●	500
945588	4,5 x 45	TX25 ●	500
945499	4,5 x 50	TX25 ●	500
945567	4,5 x 60	TX25 ●	200
945568	4,5 x 70	TX25 ●	200
945569	4,5 x 80	TX25 ●	200
945574	5,0 x 40	TX25 ●	200
945837	5,0 x 45	TX25 ●	200
945575	5,0 x 50	TX25 ●	200
945576	5,0 x 60	TX25 ●	200
945577	5,0 x 70	TX25 ●	200
945578	5,0 x 80	TX25 ●	200
945579	5,0 x 90	TX25 ●	200
945580	5,0 x 100	TX25 ●	200
945581	5,0 x 120	TX25 ●	200
945600	5,0 x 50	TX30 ●	200
945601	5,0 x 60	TX30 ●	200
945602	5,0 x 70	TX30 ●	200
945603	5,0 x 80	TX30 ●	200
945604	5,0 x 90	TX30 ●	200
945605	5,0 x 100	TX30 ●	200
945607	5,0 x 120	TX30 ●	200

PRODUCT DATA SHEET

PANELTWISTEC AG

ARTICLE TABLE

Paneltwistec AG countersunk head, steel, blue zinc-plated			
Art. no.	Dimensions Ød x L [mm]	Drive	PU
945583	6,0 x 60	TX30 ●	200
945584	6,0 x 70	TX30 ●	200
945632	6,0 x 80	TX30 ●	200
945633	6,0 x 90	TX30 ●	100
945634	6,0 x 100	TX30 ●	100
945635	6,0 x 110	TX30 ●	100
945636	6,0 x 120	TX30 ●	100
945637	6,0 x 130	TX30 ●	100
945638	6,0 x 140	TX30 ●	100
945639	6,0 x 150	TX30 ●	100
945640	6,0 x 160	TX30 ●	100
945641	6,0 x 180	TX30 ●	100
945642	6,0 x 200	TX30 ●	100
945643	6,0 x 220	TX30 ●	100
945644	6,0 x 240	TX30 ●	100
945645	6,0 x 260	TX30 ●	100
945646	6,0 x 280	TX30 ●	100
945647	6,0 x 300	TX30 ●	100
944715	8,0 x 80	TX40 ●	50
944716	8,0 x 100	TX40 ●	50
944717	8,0 x 120	TX40 ●	50
944718	8,0 x 140	TX40 ●	50
944719	8,0 x 160	TX40 ●	50
944720	8,0 x 180	TX40 ●	50
944721	8,0 x 200	TX40 ●	50
944722	8,0 x 220	TX40 ●	50
944723	8,0 x 240	TX40 ●	50
944724	8,0 x 260	TX40 ●	50
944725	8,0 x 280	TX40 ●	50
944726	8,0 x 300	TX40 ●	50
944727	8,0 x 320	TX40 ●	50
944728	8,0 x 340	TX40 ●	50
944729	8,0 x 360	TX40 ●	50
944730	8,0 x 380	TX40 ●	50
944731	8,0 x 400	TX40 ●	50
944732	8,0 x 420	TX40 ●	25
944733	8,0 x 440	TX40 ●	25
944734	8,0 x 460	TX40 ●	25
944735	8,0 x 480	TX40 ●	25
944736	8,0 x 500	TX40 ●	25
944737	8,0 x 550	TX40 ●	25
944739	8,0 x 600	TX40 ●	25
945687	10 x 100	TX50 ●	50
945688	10 x 120	TX50 ●	50
945689	10 x 140	TX50 ●	50
945690	10 x 160	TX50 ●	50

PRODUCT DATA SHEET

PANELTWISTEC AG

ARTICLE TABLE

Paneltwistec AG countersunk head, steel, blue zinc-plated			
Art. no.	Dimensions Ød x L [mm]	Drive	PU
945691	10 x 180	TX50 •	50
945692	10 x 200	TX50 •	50
945693	10 x 220	TX50 •	50
945694	10 x 240	TX50 •	50
945695	10 x 260	TX50 •	50
945696	10 x 280	TX50 •	50
945697	10 x 300	TX50 •	50
945698	10 x 320	TX50 •	50
945699	10 x 340	TX50 •	50
945703	10 x 360	TX50 •	50
945709	10 x 380	TX50 •	50
945711	10 x 400	TX50 •	50

ARTICLE TABLE

Paneltwistec AG flange button head, steel, blue zinc-plated			
Art. no.	Dimensions Ød x L [mm]	Drive	PU
946158	4,0 x 40	TX20 •	500
946159	4,0 x 50	TX20 •	500
946160	4,0 x 60	TX20 •	500
946161	4,5 x 50	TX20 •	200
946162	4,5 x 60	TX20 •	200
946163	4,5 x 70	TX20 •	200
946037	5,0 x 50	TX25 •	200
946038	5,0 x 60	TX25 •	200
946039	5,0 x 70	TX25 •	200
946040	5,0 x 80	TX25 •	200
946042	5,0 x 100	TX25 •	200
945947	6,0 x 30	TX30 •	100
945948	6,0 x 40	TX30 •	100
945712	6,0 x 50	TX30 •	100
945713	6,0 x 60	TX30 •	100
945716	6,0 x 70	TX30 •	100
945717	6,0 x 80	TX30 •	100
945718	6,0 x 90	TX30 •	100
945719	6,0 x 100	TX30 •	100
945720	6,0 x 110	TX30 •	100
945721	6,0 x 120	TX30 •	100
945722	6,0 x 130	TX30 •	100
945723	6,0 x 140	TX30 •	100
945724	6,0 x 150	TX30 •	100
945725	6,0 x 160	TX30 •	100
945726	6,0 x 180	TX30 •	100
945727	6,0 x 200	TX30 •	100
945728	6,0 x 220	TX30 •	100

PRODUCT DATA SHEET

PANELTWISTEC AG

ARTICLE TABLE

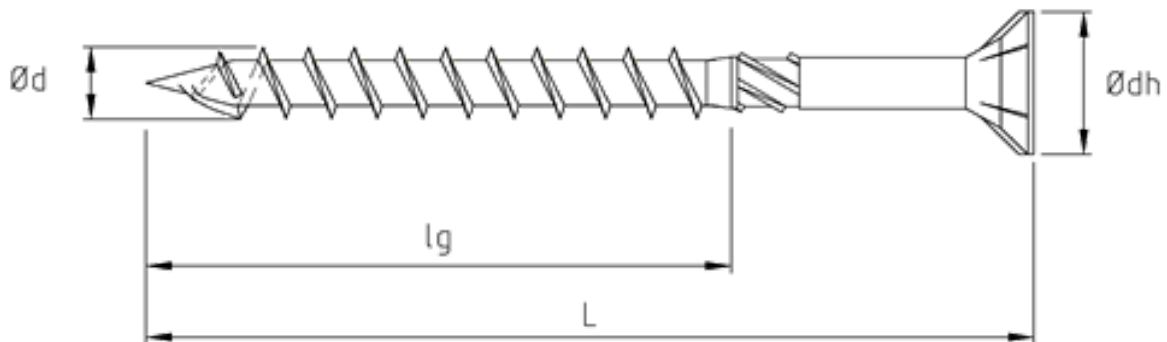
Paneltwistec AG flange button head, steel, blue zinc-plated			
Art. no.	Dimensions Ød x L [mm]	Drive	PU
945729	6,0 x 240	TX30 ●	100
945730	6,0 x 260	TX30 ●	100
945731	6,0 x 280	TX30 ●	100
945732	6,0 x 300	TX30 ●	100
945806	8,0 x 60	TX40 ●	50
944588	8,0 x 80	TX40 ●	50
944589	8,0 x 100	TX40 ●	50
944590	8,0 x 120	TX40 ●	50
944591	8,0 x 140	TX40 ●	50
944592	8,0 x 160	TX40 ●	50
944593	8,0 x 180	TX40 ●	50
944594	8,0 x 200	TX40 ●	50
944595	8,0 x 220	TX40 ●	50
944596	8,0 x 240	TX40 ●	50
944597	8,0 x 260	TX40 ●	50
944598	8,0 x 280	TX40 ●	50
944599	8,0 x 300	TX40 ●	50
944600	8,0 x 320	TX40 ●	50
944601	8,0 x 340	TX40 ●	50
944602	8,0 x 360	TX40 ●	50
944603	8,0 x 380	TX40 ●	50
944604	8,0 x 400	TX40 ●	50
944605	8,0 x 420	TX40 ●	25
944606	8,0 x 440	TX40 ●	25
944607	8,0 x 460	TX40 ●	25
944608	8,0 x 480	TX40 ●	25
944609	8,0 x 500	TX40 ●	25
944610	8,0 x 550	TX40 ●	25
944611	8,0 x 600	TX40 ●	25
945750	10,0 x 80	TX50 ●	50
945751	10,0 x 100	TX50 ●	50
945752	10,0 x 120	TX50 ●	50
945753	10,0 x 140	TX50 ●	50
945754	10,0 x 160	TX50 ●	50
945755	10,0 x 180	TX50 ●	50
945756	10,0 x 200	TX50 ●	50
945757	10,0 x 220	TX50 ●	50
945758	10,0 x 240	TX50 ●	50
945759	10,0 x 260	TX50 ●	50
945760	10,0 x 280	TX50 ●	50
945761	10,0 x 300	TX50 ●	50
945762	10,0 x 320	TX50 ●	50
945763	10,0 x 340	TX50 ●	50
945764	10,0 x 360	TX50 ●	25
945765	10,0 x 380	TX50 ●	25
945766	10,0 x 400	TX50 ●	25

PRODUCT DATA SHEET

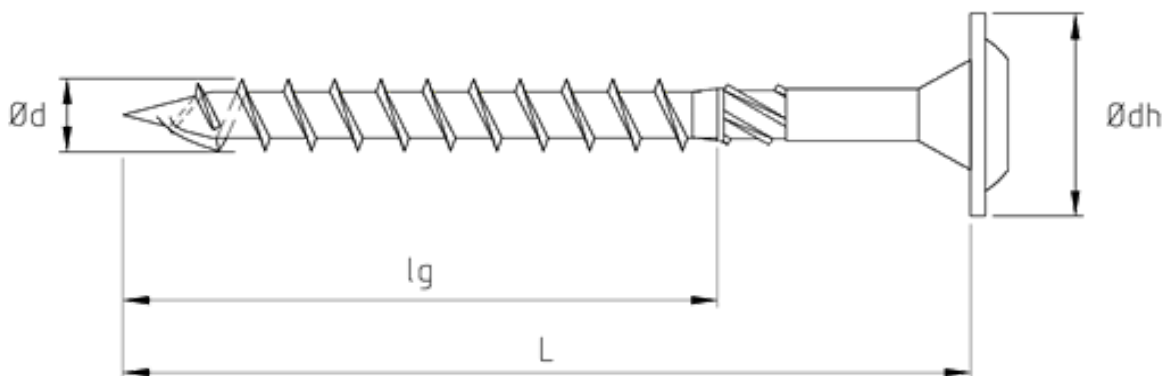
PANELTWISTEC AG

DRAWINGS

- Paneltwistec AG countersunk head, steel, blue zinc-plated



- Paneltwistec AG flange button head, steel, blue zinc-plated



If you are not familiar with how this product is used, and particularly with the product's intended use, please contact our Application Technology department (technik@eurotec.team).