

Product data sheet – Façade fixing screw ZK

Product description

The façade screw ZK is made of hardened stainless steel and is a screw for non-visible attachment of rhombus profiles. The screw has a scraping groove at the screw tip, milling ribs at the screw head and a countersunk head.

Material

Martensitic stainless steel 1.4006 (C1)

(Stainless steel according to DIN EN 10088)

- High resistance
 - 50% greater breaking torque than the A2 and A4 austenitic stainless steel
 - Hardened by heat treatment
- Usable in service classes 1 to 3 according to DIN EN 1995 (Eurocode 5)
- Limited corrosion resistance
- No acid resistance
 - Unsuitable for woods containing tannins such as cumarú, oak, intsia, robinia, etc.
- Unsuitable for use in aggressive, salty or chlorinated environments
- Magnetisable



Specifications

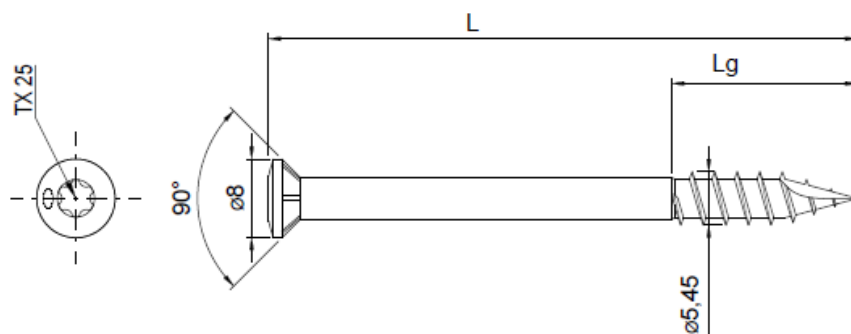
- Milling ribs simplify countersinking in all wood types
- The special screw geometry reduces the risk of wood splintering
 - But pre-drilling is strongly recommended especially for hardwoods used in façade construction!
- Limited corrosion resistance, not acid resistant
- Indirect/hidden attachment system
- Short thread for compact bolting of substructure and board
- No screws hitting when screwed in by TX drive
- Corrosion resistant up to and including service class 3 - "freely exposed constructions" according to DIN EN 1995 (Eurocode 5)

Product data sheet – Façade fixing screw ZK

Product table

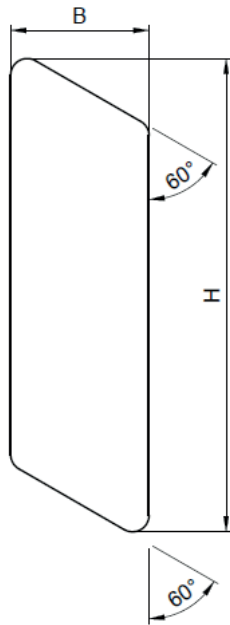
Art. no.	Dimensions Ød x L [mm]	Thread length lg [mm]	Head diameter Ødh [mm]	Drive	PU
905577	5,5 x 40	15	8	TX25 •	200
905578	5,5 x 45	17	8	TX25 •	200
905579	5,5 x 50	17	8	TX25 •	200
905580	5,5 x 55	17	8	TX25 •	200
905581	5,5 x 60	17	8	TX25 •	200
905582	5,5 x 70	22	8	TX25 •	200
905583	5,5 x 80	27	8	TX25 •	200
905585	5,5 x 90	27	8	TX25 •	200
905584	5,5 x 100	27	8	TX25 •	200

Drawing



Product data sheet – Façade fixing screw ZK

Images of applications



If you are not familiar with how this product is used, and particularly with the product's intended use, please contact our Application Technology department (Technik@eurotec.team).