

PRODUCT DATA SHEET

FLEXI GROUND ANCHOR

PRODUCT DESCRIPTION

The FLEXI ground anchor by Eurotec acts as a **foundation for low terraces**. It allows a terrace to be extended even without a stable foundation (depending on soil composition) and can be used without time-consuming excavation and setting in concrete. **The shape allows the centre of the ground anchor to be driven into the loose soil** (e.g. a lawn) using a hammer. It should be noted that the ground anchor does not have an impact surface and it could deform if driven into firm ground!

Finally, an adjustable foot is affixed to the FLEXI ground anchor and the substructure and deck structure are applied. In this way, **the danger of the adjustable feet sinking into the ground is reduced**.



i NOTE

The FLEXI ground anchor should only be used with the Profi line adjustable feet.

ADVANTAGES

- No excavation or setting in concrete necessary
- Can be driven into the ground quickly and easily
- Reduces sinking of the adjustable feet

MATERIAL

- Polypropylene

IMAGES OF APPLICATIONS



Expand the terrace foundation with the FLEXI ground anchor.



FLEXI ground anchor as a stable foundation for the terrace substructure.

PRODUCT DATA SHEET

FLEXI GROUND ANCHOR

PROCESSING INSTRUCTIONS

- Check whether there are any pipes in the ground in the location where the ground anchor is to be installed.
- The product is not suitable for waterlogged, heavily compacted or rocky soils – in the event of any doubt, test the area first or ask a qualified engineer.
- Ensure that the decking complies with all relevant local or official building regulations.
- Fully install the ground anchor prior to laying.
- Follow the timber supplier specifications for constructing the terrace and positioning the decking boards.
- Depending on soil composition, it is not recommended to assemble the entire terrace structure on the FLEXI ground anchor.
- We recommend affixing the overall structure to load-bearing structures and/or to rising building components. The substructure should be affixed using the L-adapter. The support distances along the aluminium profile are to be read from the respective tables and reduced accordingly. We'd be happy to advise you on the ideal solution. No individual support possible without aluminium profiles.

ONLY TO BE USED WITH THE PROFI LINE ADJUSTABLE PEDESTALS!

PRODUCT TABLE

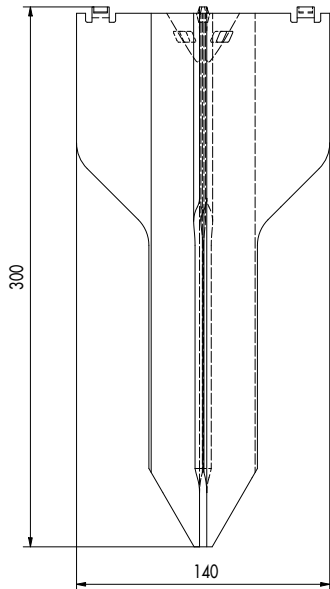
Art.-No.	Product description	Dimensions ¹⁾ [mm]	Ø Base plate [mm]	PU
975680	FLEXI ground anchor	300 x 140	200	1

¹⁾Height x width

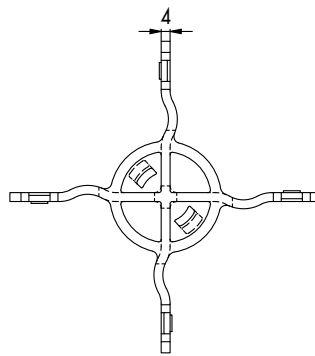
PRODUCT DATA SHEET

FLEXI GROUND ANCHOR

DRAWINGS FLEXI GROUND ANCHOR

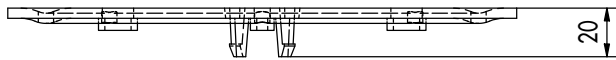


Front view

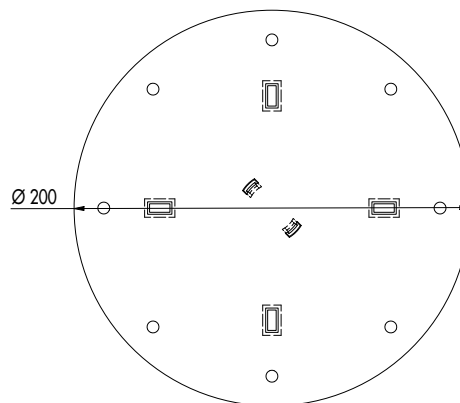


Top view

DRAWINGS HEAD PLATE



Front view



Top view

If you are not familiar with how this product is used, and particularly with the product's intended use, please contact our Application Technology department (technik@eurotec.team).

© by E.u.r.o.Tec GmbH · Last updated 03/2022 · Subject to changes, additions, typesetting and printing errors.

Page 3 of 3