

Product data sheet – Cradle-System

Product description

The **Cradle-System** is a simple support system for the substructure of wooden floors in interior design. Through the threaded ring, the height of the cradle can be infinitely adjusted between 10 and 45 mm, so that inclines can be compensated. The cradle is suitable for both 40 mm and 60 mm bearing timber. The timber is floating, laid without screwing.



Material

Polypropylen-Copolymer (PP-C), black

Advantages

- Easy and quick installation
- Flexible application options thanks to a support system with anti-twist protection
- Adjustment range 10 - 45 mm
- For support timber with 40 or 60 mm width
- EPDM pad (60x60 mm) for impact sound insulation on the underside possible
- Resistant to weathering, UV exposure, insects and rot

Product data sheet – Cradle-System

Product Table

Cradle System					
Art.-Nr.	Material	Adjustment range [mm]	Width bearing beams [mm]	recommended load capacity [kN]	Packing unit [piece]
946067	PP-C, black	10 – 45	40 or 60	0,8	50

Application notes

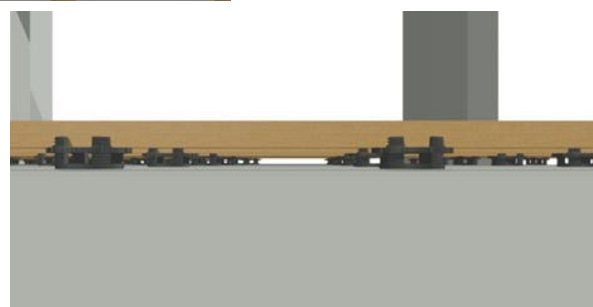
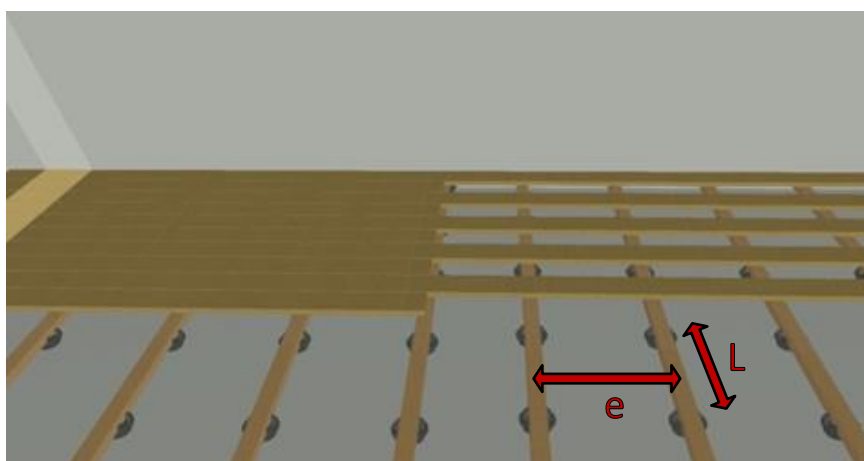
The cradle system is suitable for a predominantly static central compressive stress in multiply supported systems. It is recommended to use at least 6 cradles per square meter. Decisive are the storage distances below:

Max. bearing distances L [mm] of the Cradles ^{a)}								
Payload [kN/m ²]	Central distance e [mm] of the bearing beams ^{b)}							
	250	300	350	400	450	500	550	600
2	750	600	550	475	425	375	350	325
5,0 ^{c)}	300	250	200	200	-	-	-	-

a) Specification of the max span

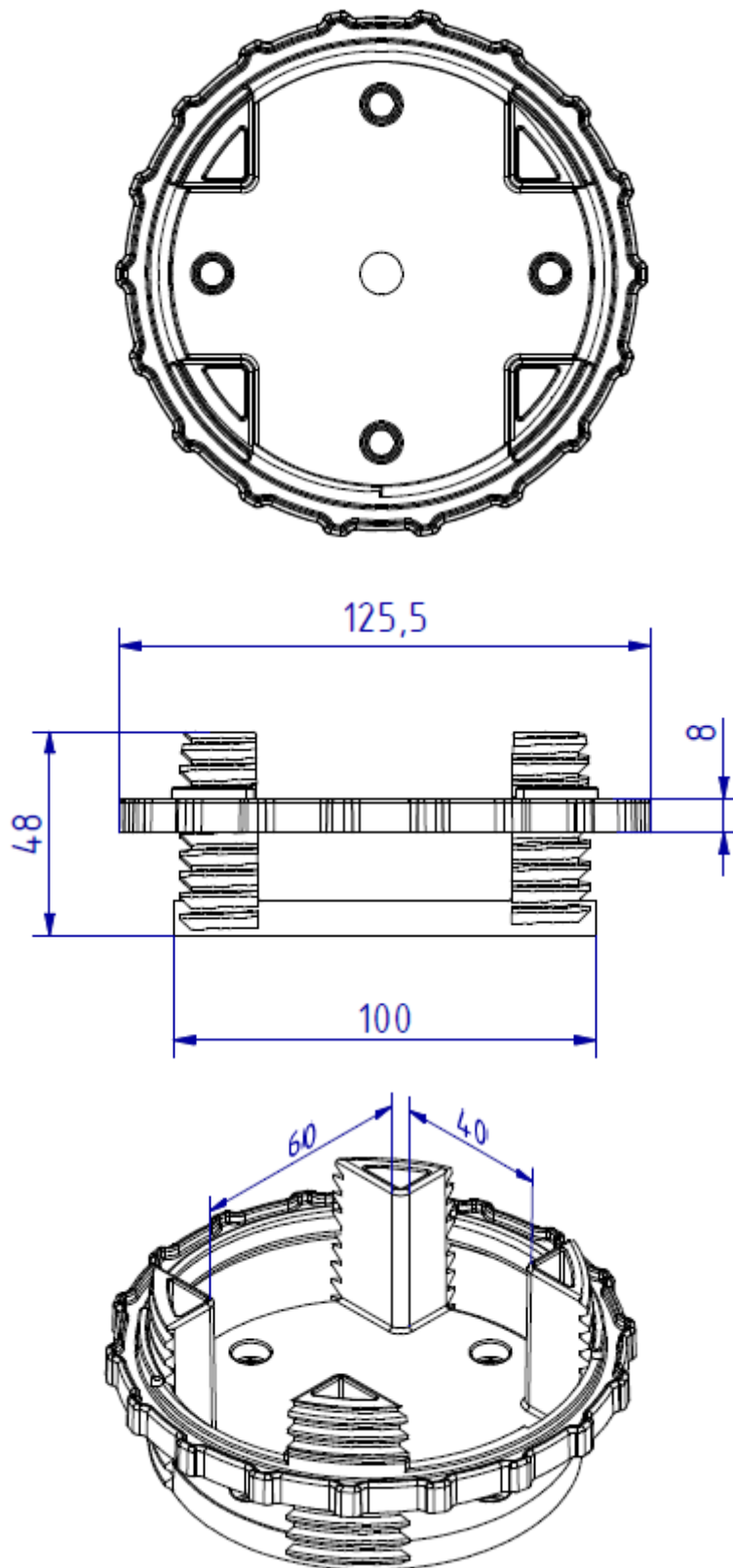
b) Example: distance between the bearing beams e= 400; Payload = 2,0 kN/m²

c) Payloads according to DIN EN 1991-1; Payloads in public spaces and for escape routes = 5 kN / m²



Product data sheet – Cradle-System

Drawing



Product data sheet – Cradle-System

Prüfprotokoll des Cradle mit Kraft-Weg-Diagramm



Durch die Deutsche Akkreditierungsstelle GmbH
akkreditiertes Prüflaboratorium
Die Akkreditierung gilt für die in der Urkunde
aufgeführten Prüfverfahren



Prüfprotokoll Werkstoffprüfung Kunze GmbH

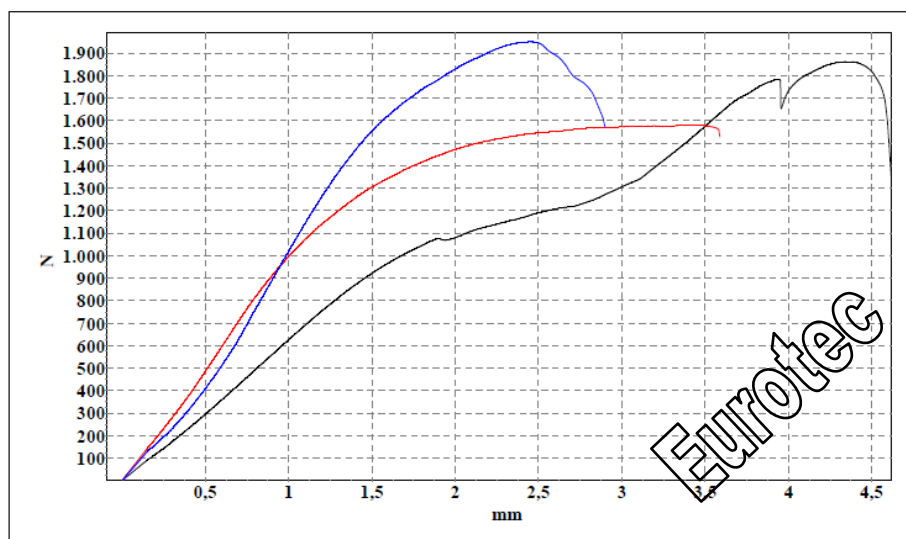
Metallzugversuch an Maschine Nr.: 1 nach EN ISO 6892-1:2017 B12

Kunde : Eurotec
Prüf.-Nr./Prüfer : E 6921/RJK
Gegenstand : Cradle
DIN-Nr. : ----

Güte/Klasse : ----
Kennzeichen : Kein Kennzeichen
Kom.-Nr. : Herr Henkel
Datum : 10.11.2017

Resultate E6921:

Name	F _m [N]
Probe 1	1863
Probe 2	1581
Probe 3	1950



Charakteristische Tragfähigkeit des Cradle: $m_k = 1,26 \text{ kN}$

Bei der empfohlenen Tragfähigkeit des Cradle $F_e = 0,8 \text{ kN}$ ($\eta^* = 1,6$) setzt sich der Verstellfuß nur um 1,3 mm.

*) η (lat. Eta) [-]: Wirkungs-/ Nutzungsgrad bzw. Sicherheitsfaktor

$$\text{Sicherheitsfaktor } \eta [-] = \frac{\text{Charakteristische Tragfähigkeit } m_k [\text{kN}]}{\text{Empfohlene Tragfähigkeit } F_e [\text{kN}]} = \frac{1,26}{0,8} \approx 1,6$$

If you are not familiar with the application of the product at hand, especially with the handling according to given regulations, it is essential to get in contact with our technical application support department (Technik@eurotec.team).